



Features

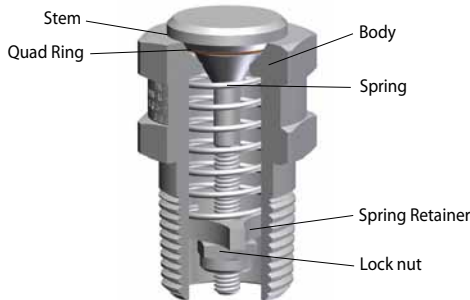
- Precise cracking pressure with high reliability.
- Keeping the sealing to 95~98% of Set Pressure at least.
- Reliable Reseal performance.
- Tamper proof design.

Design and application

V61 Series Vent relief valves is designed to vent out the excess pressure from the line automatically to keep the required line pressure safely when the line pressure is exceeded over the limitation unusually. This valves can be used in the case that the working fluid is not harmful when vented out. The level of cracking pressure should be set by adjusting the force of the spring in the valve before this valve is installed in the system.

Installation and Operation

This valve should be positioned perpendicularly to the direction of fluid flow in the line and that position should be considered and the vented fluid should be not directed to the personnel operating and the parts that has any influences on that. The line system should be run to check the performance of the valve after the personnel operating move to the safety zone. Because this valve is opened automatically when the excess of the required line pressure.



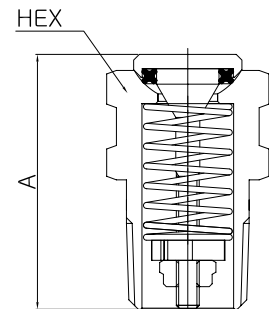
Materials of construction

Component	Valve Body Material	
	SS316	Brass
Body	ASTM A276 / A479 TYPE 316	ASTM B16 / Brass 360 (Nickel plated)
Stem	ASTM A276 / A479 TYPE 316	ASTM B16 / Brass 360
Quad-Ring	FKM	NBR
Spring	STAINLESS STEEL 302	STAINLESS STEEL 302
Spring retainer	ASTM A276 / A479 TYPE 316	ASTM B16 / Brass 360
Lock nut	STAINLESS STEEL	STAINLESS STEEL

• Lubricants listed in blue.

Ordering Number and Table of Dimensions

Basic Ordering No.	Pipe Size NPT	Orifice mm(inch)	Dimension mm(inch)	
			A	HEX.
V61-M-2N	1/8" Male NPT	4.74 (0.187)	24.6 (0.97)	12.7(1/2)
V61-M-4N	1/4" Male NPT	6.98 (0.275)	30.48 (1.2)	15.87 (5/8)
V61-M-6N	3/8" Male NPT	8.76 (0.345)	31.5 (1.24)	19.05 (3/4)
V61-M-8N	1/2" Male NPT	10.41 (0.41)	44.5 (1.75)	25.4 (1.0)
V61-M-12N	3/4" Male NPT	14.47 (0.57)	57.15 (2.25)	28.57 (1-1/8)
V61-M-16N	" Male NPT	19.94 (0.785)	79.25 (3.12)	38.1 (1-1/2)



Technical Data

1. Set Pressure Range : 0.5 to 150 psig (0.03 to 10.4 bar)
2. Temperature Range : -65° to 400°F (-54°C to 204°C)
(differ from material selection)

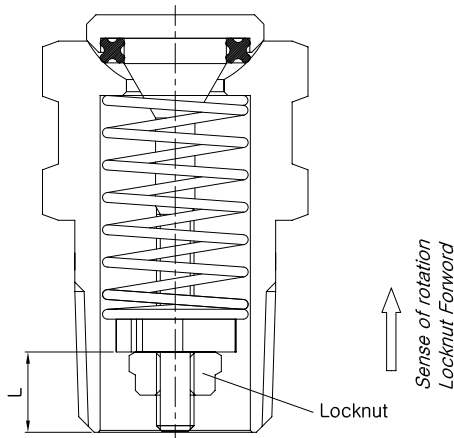
Material	Designator	Temperature Rating
FKM	V	-20 to 400°F (-28°C to 204°C)
NBR	N	-40 to 250°F (-40°C to 121°C)
EPDM	EP	-65 to 300°F (-54°C to 148°C)

Technical Data

Cracking & Reseal Tolerance

Cracking	Cracking Pressure		Tolerance	
		below 2 psig (0.14 bar)	± 10%	
	2 to 150 psig (0.14 to 10.3 bar)	± 5%		

Reseal	Cracking Pressure		Tolerance	
		2 ~ 10 psig (0.14 to 1.7 bar)	80% of Cracking	
	10 ~ 150 psig (0.7 to 10.3 bar)	92% of Cracking		



According to system line's requested pressure, Turn the locknut(with JIG as picture.1)as picture and set the cracking pressure.

* Ordering Jig Part No. : V61 - JIG

JIG Reference <picture.1>



Spring Cracking Pressure Range Designator and Flow Data

Designator	Cracking Pressure Range @ 20°C (70°F), psig (bar)	Standard Cracking Pressure (The Middle Point Cracking) psig (bar)	Flow Data for Size, SCFM					
			1/8"	1/4"	3/8"	1/2"	3/4"	1"
1	0.5 to 2.5 (0.03 to 0.17)	1.6 (0.11)	0.13	0.13	0.20	0.83	1.23	-
5	2.6 to 7.5 (0.18 to 0.51)	5 (0.34)	0.57	0.62	0.97	1.83	1.37	2.92
10	7.6 to 15 (0.52 to 1.03)	11.5 (0.79)	0.92	1.15	1.80	2.50	1.58	1.90
20	16 to 35 (1.1 to 2.41)	26 (1.79)	1.50	2.05	2.50	3.67	3.75	5.17
50	36 to 75 (2.48 to 5.17)	56 (3.86)	4.33	8.58	9.17	24.30	17.50	9.17
100	76 to 125 (5.24 to 8.61)	100 (6.89)	8.33	33.52	21.67	62.08	34.67	76.67
150	126 to 150 (8.68 to 10.4)	138 (9.5)	10.17	38.17	19.00	66.67	57.50	91.67

Factory Test

Every valve is factory tested for standard set cracking and performance.

How to Order

Select valve basic ordering number, applicable seal, spring nominal cracking pressure, and body material.

V61 - NIL- KZ- EP- 1- S B

Seal Material Designator	Spring Nominal Cracking Pressure Designator	Valve Body Material Designator
FKM : Nil for SS316 Valve NBR : Nil for Brass Valve FKM : V NBR : N EPDM : EP	"Note : Select the spring designator 1, 5, 10, 20, 50, 100, 150"	S : SS316 B : Brass