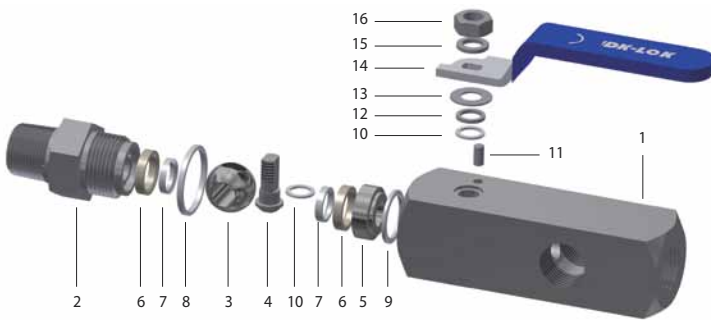


DK-Lok Gauge Root Ball Valves offer a safe way of positioning gauges and installing pressure switches.

Features

- 1/2 in. and 3/4 in. male to 1/2 in. female end connections.
- 1/2 in. female gauge ports standard.
- Available with vent and blanking plugs (if specified).
- Pressure Rating up to 6000 psig (413 barg)
- Seat design for PTFE & PCTFE(Twin Seat)

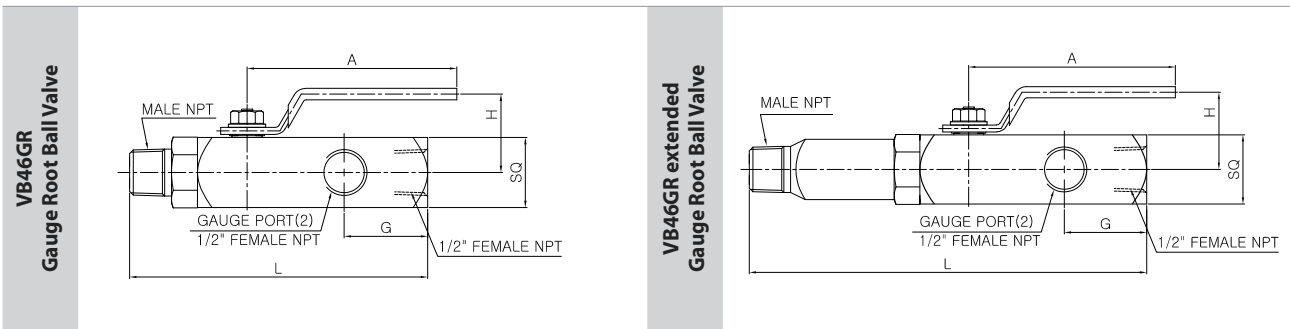


Material of Construction

Component	Valve Materials
1. Body	ASTM A276 TYPE 316
2. Connector	ASTM A276 TYPE 316
3. Ball	ASTM A276 TYPE 316
4. Stem	ASTM A276 TYPE 316
5. Seat Housing	ASTM A276 TYPE 316
6. Seat Guide	PCTFE
7. Seat	PTFE
8. Connector Packing	PTFE
9. Housing Packing	PTFE
10. Stam Packing	PTFE
11. Pin	Stainless Steel
12. Gland	ASTM A276 TYPE 316
13. Washer	Stainless Steel
14. Handle	Stainless Steel
15. Spring Wsher	Stainless Steel
16. Nut	Stainless Steel

* Wetted parts and lubricants listed in blue.

Ordering Information and Dimension



Valve Ordering Number	End Connection Male to Female NPT	Orifice mm (in.)	Cv	Body Length mm (in.) L	MAX. OPEN mm (in.) H	SQ mm (in.)	G mm (in.)	A mm (in.)
VB46GR-	8N	9.5 (0.37)	7.0	136.0 (5.35)	35.8 (1.4)	32 (1.26)	38.10 (1.50)	95 (3.74)
	12N8N			136.0 (5.35)	35.8 (1.4)			
VB46GRL-	8N	9.5 (0.37)	7.0	184.0 (7.24)	35.8 (1.4)	32 (1.26)	38.10 (1.50)	95 (3.74)
	12N8N			184.0 (7.24)	35.8 (1.4)			

Select the desired basic ordering number, and options from designators listed below.

End Connection Male to Female NPT	Seat	Vent & Blank Plug	Sour gas service	Body Material
1/2 to 1/2 in.: 8N 3/4 to 1/2 in.: 12N	Nil : Standard PTFE & PCTFE	Nil : no plug V or VV : Vent Plug P or PP : Blank plug VP : Vent & Blank plug	Nil : no Sour Gas SG : Sour Gas	S : ASTM A276 TYPE 316

 Fittings & Valves www.dklok.com	IDK-LOK Corporation Mailing Address 7, Golden root-ro 129beon-gil, Juchon-myeon, Gimhae-si, Gyeongsangnam-do, South Korea 621-842	DK-Lok contact information Tel. (82) 55-338-0114 Fax. (82) 55-901-0143 E-mail : sales@dklok.com	For International customers Tel. (82) 55-338-0031/2 Fax. (82) 55-901-0142 E-mail : dklok@dklok.com
--	---	--	---