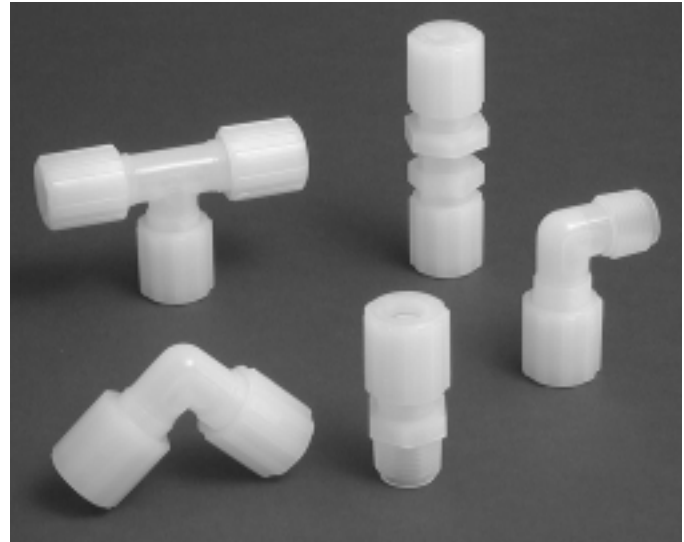


**Product Overview:**

The Partek Parflare fitting line is ideally suited for any ultra-pure or corrosive chemical application. The fitting design yields a leak tight connection with minimal dead volume and can be used in side loading and vibrational applications. The connection is achieved by a heated flaring process utilizing an external heat source and PTFE mandrel, or by using Partek's optional FG Series semiautomatic electronic flaring tools.



**Features:**

PFA body manufactured from virgin High Purity PFA materials.

Ease of assembly.

Leak tight seal.

Numerous configurations including Redi-flare end connections.

**Benefits:**

Less surface particulates resulting in cleaner operation.

Reduced assembly time, and costs.

Less downtime.

Reduced system complexity and cost.

**Specifications:**

Materials of Construction:

- Wetted Surfaces - PFA
- External Surfaces - PVDF

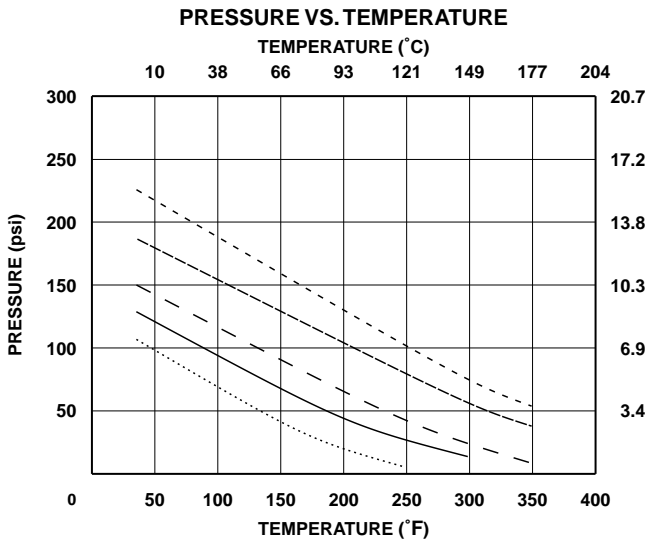
Pressure Ranges:

See Pressure/Temperature Chart below.

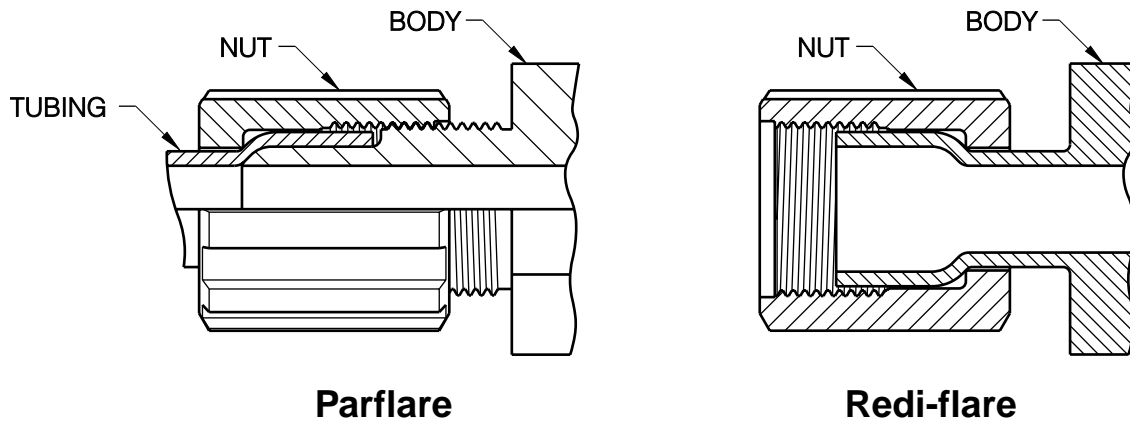
Temperature Ranges:

See Pressure/Temperature Chart below.

Parflare PFA fittings are supplied with PVDF nuts as standard. For PFA nuts on 1/4" through 1" sizes add -T suffix to model number. For high temperature nut/gripper assembly on 1/4" through 1" add -HT to model number. Consult factory for availability of PFA nuts or high temperature nut assemblies in 1-1/4" tube size. Please consult factory for other available configurations, materials, and custom assemblies. See Section 8 for assembly tooling.



Fitting Size	Tube Size
4	1/4" O.D. X 5/32" I.D.
6	3/8" O.D. X 1/4" I.D.
8	1/2" O.D. X 3/8" I.D.
12	3/4" O.D. X 5/8" I.D.
16	1" O.D. X 7/8" I.D.
20	1-1/4" O.D. X 1.10" I.D.



### Flaring and Assembly Procedure

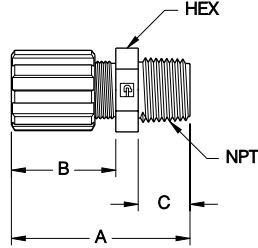
1. Cut tubing evenly using a Partek tube cutter:  
TCTR-1 for 1/4" - 1/2"  
TCTR-2 for 3/4"  
TCTR-3 for 1" and over
2. Slip small end of the fitting nut over tubing.
3. Using the Partek HG-1 hot air gun on high setting, hold the end of tubing approximately 1/2" (1/4" - 1 1/4" tubing sizes) from gun and rotate tubing slowly until a fine whitish line appears around tube. Alternately, tubing can be heated for a timed period corresponding to Table 1 below.
4. Remove tubing from heat source and immediately push over the appropriate flaring mandrel until end of tubing reaches the mandrel stop shoulder.
5. Maintain tubing on mandrel together until cool. Refer to Table 1 below for appropriate cooling times.
6. Allow tubing to cool on mandrel for an additional 2 to 3 minutes. Alternately the tubing can be assembled as per step 7 below immediately completing step 5 above.
7. Push flared tubing end over desired fitting body until it stops. Make sure that gap between end of tubing and fitting body shoulder is not more than .125" (3.2mm).
8. Tighten nut onto fitting body as per Table 1 below.

For alternate flaring method for 1/4" - 1" tubing sizes, see the Partek Automated Flaring Tool in Section 8.

**Table 1**

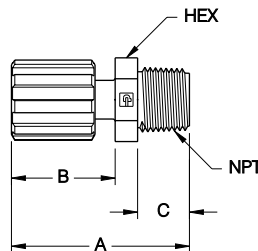
Fitting Size	1/4"	3/8"	1/2"	3/4"	1"	1 1/4"
Heating time (sec.) for PFA Tubing	15	25	25	25	25	25
Holding time on mandrel	20	20	20	20	25	25
Additional cooling time (min.)	2	2	3	3	3	3
Minimum tightening torque (inch lbs./Nm)	5 / .6	8 / .9	11 / 1.2	14 / 1.6	30 / 3.4	75 / 8.4

**Adaptor  
Male Straight**



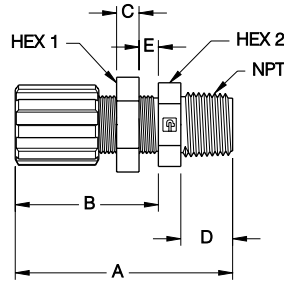
Part Number	Tube Size	NPT Size	Orifice		A		B		C		Hex Size
			inch	mm	inch	mm	inch	mm	inch	mm	
FAMS-42	1/4	1/8	0.13	3.30	2.01	51.05	1.16	29.46	0.55	13.97	5/8
FAMS-44	1/4	1/4	0.13	3.30	2.01	51.05	1.16	29.46	0.55	13.97	5/8
FAMS-46	1/4	3/8	0.12	3.05	2.01	51.05	1.16	29.46	0.55	13.97	11/16
FAMS-48	1/4	1/2	0.12	3.05	2.15	54.61	1.16	29.46	0.66	16.76	13/16
FAMS-412	1/4	3/4	0.12	3.05	2.11	53.59	1.16	29.46	0.67	17.02	1 3/16
FAMS-62	3/8	1/8	0.20	5.08	2.08	52.83	1.24	31.50	0.55	13.97	13/16
FAMS-64	3/8	1/4	0.25	6.35	2.08	52.83	1.24	31.50	0.55	13.97	13/16
FAMS-66	3/8	3/8	0.25	6.35	2.08	52.83	1.24	31.50	0.55	13.97	13/16
FAMS-68	3/8	1/2	0.25	6.35	2.20	55.88	1.24	31.50	0.66	16.76	15/16
FAMS-612	3/8	3/4	0.25	6.35	2.18	55.37	1.24	31.50	0.65	16.51	1 3/16
FAMS-616	3/8	1	0.24	6.10	2.35	59.69	1.24	31.50	0.83	21.08	1 7/16
FAMS-82	1/2	1/8	0.20	5.08	2.19	55.63	1.37	34.80	0.55	13.97	15/16
FAMS-84	1/2	1/4	0.28	7.11	2.18	55.37	1.34	34.04	0.55	13.97	15/16
FAMS-86	1/2	3/8	0.38	9.65	2.17	55.12	1.33	33.78	0.55	13.97	15/16
FAMS-88	1/2	1/2	0.38	9.65	2.30	58.42	1.34	34.04	0.66	16.76	15/16
FAMS-812	1/2	3/4	0.38	9.65	2.28	57.91	1.34	34.04	0.66	16.76	1 3/16
FAMS-816	1/2	1	0.37	9.40	2.43	61.72	1.34	34.04	0.85	21.59	1 7/16
FAMS-128	3/4	1/2	0.53	13.46	2.42	61.47	1.46	37.08	0.66	16.76	1 3/16
FAMS-1212	3/4	3/4	0.62	15.75	2.42	61.47	1.46	37.08	0.66	16.76	1 3/16
FAMS-1216	3/4	1	0.62	15.75	2.62	66.55	1.48	37.59	0.85	21.59	1 7/16
FAMS-168	1	1/2	0.53	13.46	2.72	69.09	1.78	45.21	0.66	16.76	1 7/16
FAMS-1612	1	3/4	0.66	16.76	2.72	69.09	1.76	44.70	0.67	17.02	1 7/16
FAMS-1616	1	1	0.88	22.35	2.92	74.17	1.78	45.21	0.85	21.59	1 7/16
FAMS-1620	1	1 1/4	0.88	22.35	2.97	75.43	1.80	45.72	0.88	22.35	1 3/4
FAMS-2016	1 1/4	1	1.09	27.68	3.51	89.15	2.16	54.86	0.85	21.59	N/A
FAMS-2020	1 1/4	1 1/4	1.09	27.68	3.54	89.92	2.16	54.86	0.88	22.35	N/A

**Adaptor  
Male Straight  
Redi-flare**



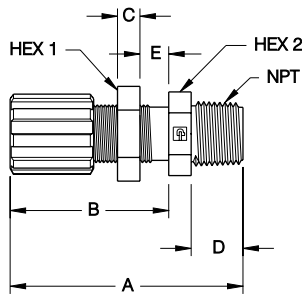
Part Number	Tube Size	NPT Size	Orifice		A		B		C		Hex Size
			inch	mm	inch	mm	inch	mm	inch	mm	
FAMS-8RF4	1/2	1/4	0.38	9.65	2.18	55.37	1.34	34.04	0.55	13.97	15/16
FAMS-8RF6	1/2	3/8	0.38	9.65	2.18	55.37	1.34	34.04	0.55	13.97	15/16
FAMS-12RF8	3/4	1/2	0.62	15.75	2.53	64.26	1.55	39.37	0.67	17.01	15/16
FAMS-12RF12	3/4	3/4	0.62	15.75	2.48	62.99	1.55	39.37	0.65	16.51	1 3/16

**Adaptor  
Male Straight  
Panel Mount**



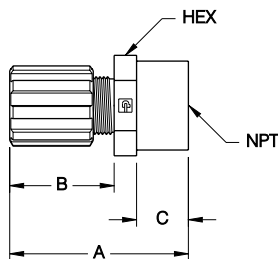
Part Number	Tube Size	NPT Size	Orifice		A		B		C		D		E (max.)		Hole Size		Hex 1 Size	Hex 2 Size
			inch	mm	inch	mm	inch	mm	inch	mm	inch	mm	inch	mm	inch	mm		
FAMS-42-P	1/4	1/8	0.13	3.30	2.54	64.52	1.70	43.18	0.29	7.37	0.55	13.97	0.25	6.35	0.50	12.70	11/16	11/16
FAMS-44-P	1/4	1/4	0.13	3.30	2.54	64.52	1.71	43.43	0.29	7.37	0.55	13.97	0.25	6.35	0.50	12.70	11/16	11/16
FAMS-64-P	3/8	1/4	0.25	6.35	2.56	65.02	1.72	43.67	0.55	13.97	0.55	13.97	0.50	12.70	0.63	16.00	15/16	13/16
FAMS-66-P	3/8	3/8	0.25	6.35	2.57	65.28	1.73	43.94	0.29	7.37	0.55	13.97	0.25	6.35	0.63	16.00	15/16	13/16
FAMS-84-P	1/2	1/4	0.28	7.11	2.66	67.56	1.82	46.23	0.29	7.37	0.55	13.97	0.25	6.35	0.75	19.05	1 1/16	15/16
FAMS-86-P	1/2	3/8	0.37	9.40	2.65	67.31	1.81	45.97	0.29	7.37	0.54	13.72	0.25	6.35	0.75	19.05	1 1/16	15/16
FAMS-88-P	1/2	1/2	0.38	9.65	2.78	70.61	1.83	46.48	0.29	7.37	0.66	16.76	0.25	6.35	0.75	19.05	1 1/16	15/16
FAMS-1212-P	3/4	3/4	0.63	16.00	3.08	78.23	2.12	53.85	0.29	7.37	0.66	16.76	0.50	12.70	1.00	25.40	1 5/16	1 3/16
FAMS-1616-P	1	1	0.87	22.10	3.18	80.77	2.05	52.07	0.29	7.37	0.85	21.59	0.50	12.70	1.44	36.58	1 3/4	1 7/16

**Adaptor  
Male Straight  
Panel Mount,  
Extended**



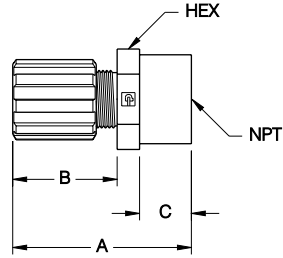
Part Number	Tube Size	NPT Size	Orifice		A		B		C		D		E (max.)		Hole Size		Hex 1 Size	Hex 2 Size
			inch	mm	inch	mm	inch	mm	inch	mm	inch	mm	inch	mm	inch	mm		
FAMS-44-PX	1/4	1/4	0.12	3.05	2.69	68.33	1.85	46.99	0.29	7.37	0.55	13.97	0.50	12.70	0.50	12.70	11/16	11/16
FAMS-66-PX	3/8	3/8	0.25	6.35	2.73	69.34	1.90	48.26	0.29	7.37	0.55	13.97	0.50	12.70	0.63	16.00	15/16	13/16
FAMS-86-PX	1/2	3/8	0.38	9.65	2.87	72.90	2.03	51.56	0.29	7.37	0.55	13.97	0.50	12.70	0.75	19.05	1 1/16	15/16
FAMS-88-PX	1/2	1/2	0.37	9.40	2.99	75.95	2.05	52.07	0.29	7.37	0.66	16.76	0.50	12.70	0.75	19.05	1 1/16	15/16
FAMS-1212-PX	3/4	3/4	0.63	16.00	3.10	78.74	2.10	54.40	0.30	7.62	0.67	17.02	0.50	12.70	1.00	25.40	1 5/16	1 3/16

**Adaptor  
Female Straight**



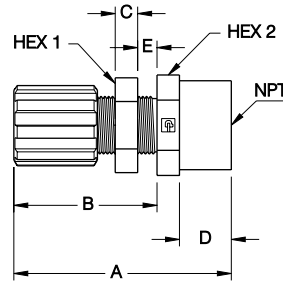
Part Number	Tube Size	NPT Size	Orifice		A		B		C		Hex Size
			inch	mm	inch	mm	inch	mm	inch	mm	
FAFS-42	1/4	1/8	0.12	3.11	2.03	52.58	1.18	30.56	0.56	14.50	5/8
FAFS-44	1/4	1/4	0.12	3.11	2.03	52.58	1.18	30.56	0.56	14.50	3/4
FAFS-46	1/4	3/8	0.12	3.11	2.04	52.84	1.20	31.08	0.56	14.50	15/16
FAFS-48	1/4	1/2	0.12	3.11	2.11	54.65	1.16	30.04	0.67	17.35	1 3/16

**Adaptor  
Female Straight  
cont.**



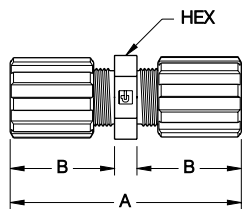
Part Number	Tube Size	NPT Size	Orifice		A		B		C		Hex Size
			inch	mm	inch	mm	inch	mm	inch	mm	
FAFS-62	3/8	1/8	0.25	6.48	2.08	53.87	1.23	31.86	0.56	14.50	5/8
FAFS-64	3/8	1/4	0.25	6.48	2.10	54.39	1.25	32.38	0.56	14.50	3/4
FAFS-66	3/8	3/8	0.25	6.48	2.07	53.61	1.22	31.60	0.56	14.50	15/16
FAFS-68	3/8	1/2	0.25	6.35	2.17	56.20	1.21	31.34	0.67	17.35	1
FAFS-84	1/2	1/4	0.31	8.03	2.20	56.98	1.33	34.45	0.56	14.50	3/4
FAFS-86	1/2	3/8	0.37	9.58	2.19	56.72	1.34	34.71	0.63	16.32	15/16
FAFS-88	1/2	1/2	0.37	9.58	2.31	59.83	1.34	34.71	0.67	17.35	1 1/8
FAFS-812	1/2	3/4	0.37	9.58	2.36	61.12	1.40	36.26	0.67	17.35	1 3/16
FAFS-816	1/2	1	0.37	9.58	2.56	66.30	1.40	36.26	0.86	22.27	1 5/8
FAFS-128	3/4	1/2	0.57	14.76	2.45	63.46	1.50	38.85	0.66	17.09	1 3/16
FAFS-1212	3/4	3/4	0.62	16.06	2.43	62.94	1.46	37.81	0.67	17.35	1 3/16
FAFS-1216	3/4	1	0.62	16.06	2.63	68.12	1.48	38.33	0.86	22.27	1 5/8
FAFS-168	1	1/2	0.55	14.25	2.74	70.97	1.79	46.36	0.67	17.35	1 5/8
FAFS-1612	1	3/4	0.76	19.68	2.74	70.97	1.78	46.10	0.68	17.61	1 5/8
FAFS-1616	1	1	0.87	22.53	2.93	75.89	1.78	46.10	0.86	22.27	1 5/8

**Adaptor  
Female Straight  
Panel Mount**



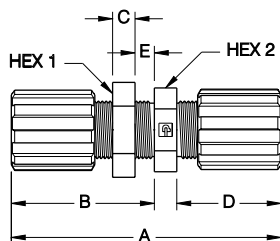
Part Number	Tube Size	NPT Size	Orifice		A		B		C		D		E (max.)		Hole Size		Hex 1 Size	Hex 2 Size
			inch	mm	inch	mm	inch	mm	inch	mm	inch	mm	inch	mm	inch	mm		
FAFS-44-P	1/4	1/4	0.12	3.05	2.52	64.01	1.67	42.42	0.29	7.37	0.56	14.22	0.25	6.35	0.50	12.70	11/16	3/4
FAFS-86-P	1/2	3/8	0.38	9.65	2.73	69.34	1.90	48.26	0.29	7.37	0.56	14.22	0.25	6.35	0.75	19.05	1/16	15/16
FAFS-64-P	3/8	1/4	0.12	3.05	2.58	65.53	1.72	43.69	0.29	7.37	0.57	14.48	0.25	6.35	0.63	16.00	15/16	3/4
FAFS-66-P	3/8	3/8	0.25	6.35	2.63	66.80	1.72	43.69	0.29	7.37	0.62	15.75	0.25	6.35	0.63	16.00	15/16	15/16
FAFS-88-P	1/2	1/2	0.38	9.65	2.81	71.37	1.85	46.99	0.29	7.37	0.67	17.02	0.25	6.35	0.75	19.05	1 1/16	1 1/8
FAFS-1212-P	3/4	3/4	0.63	16.00	3.16	80.26	2.11	53.59	0.29	7.37	0.76	19.30	0.50	12.70	1.00	25.40	1 5/16	1 3/16
FAFS-1616-P	1	1	0.88	22.35	3.50	88.90	2.35	59.69	0.29	7.37	0.86	21.84	0.50	12.70	1.44	36.58	1 3/4	1 3/4

**Straight Connector**



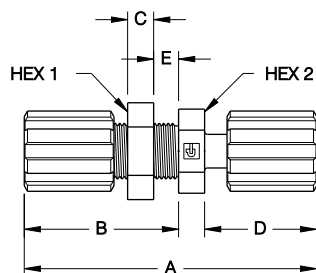
Part Number	Tube Size	Orifice		A		B		Hex Size
		inch	mm	inch	mm	inch	mm	
FSC-4	1/4	0.12	3.05	2.59	65.79	1.14	28.96	11/16
FSC-6	3/8	0.25	6.35	2.79	70.87	1.25	31.75	13/16
FSC-8	1/2	0.38	9.65	2.96	75.18	1.33	33.78	15/16
FSC-12	3/4	0.62	15.75	3.20	81.28	1.45	36.83	1 3/16
FSC-16	1	0.87	22.10	3.83	97.28	1.77	44.96	1 7/16
FSC-20	1 1/4	1.10	27.94	4.83	122.68	2.16	54.86	N/A

**Straight Connector  
Panel Mount**



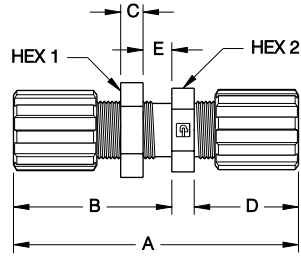
Part Number	Tube Size	Orifice		A		B		C		D		E (max.)		Hole Size		Hex 1 Size	Hex 2 Size
		inch	mm	inch	mm	inch	mm	inch	mm	inch	mm	inch	mm	inch	mm		
FSC-4-P	1/4	0.12	3.05	3.21	81.53	1.70	43.18	0.29	7.37	1.21	30.73	0.25	6.45	0.50	12.70	11/16	11/16
FSC-6-P	3/8	0.25	6.35	3.29	83.57	1.75	44.45	0.29	7.37	1.25	31.75	0.25	6.35	0.63	16.00	15/16	13/16
FSC-8-P	1/2	0.38	9.65	3.46	87.88	1.83	46.48	0.29	7.37	1.34	34.04	0.25	6.35	0.75	19.05	1 1/16	15/16
FSC-12-P	3/4	0.62	15.75	3.84	97.54	2.08	52.83	0.29	7.37	1.46	37.08	0.25	6.35	1.00	25.40	1 3/16	1 3/16
FSC-16-P	1	0.87	22.10	4.43	112.52	2.37	60.20	0.29	7.37	1.78	45.21	0.50	12.70	1.44	36.58	1 3/4	1 3/4

**Straight Connector  
Panel Mount,  
Redi-flare**



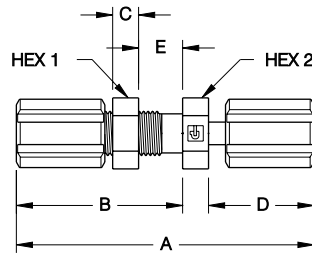
Part Number	Tube Size	Orifice		A		B		C		D		E (max.)		Hole Size		Hex 1 Size	Hex 2 Size
		inch	mm	inch	mm	inch	mm	inch	mm	inch	mm	inch	mm	inch	mm		
FSC-66RF-P	3/8	0.25	6.35	3.26	82.80	1.72	43.69	0.29	7.37	1.25	31.75	0.25	6.35	0.63	16.00	15/16	13/16

**Straight Connector  
Panel Mount,  
Extended**



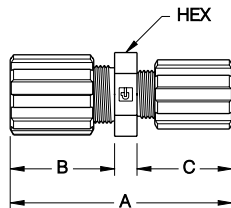
Part Number	Tube Size	Orifice		A		B		C		D		E (max.)		Hole Size		Hex 1 Size	Hex 2 Size
		inch	mm	inch	mm	inch	mm	inch	mm	inch	mm	inch	mm	inch	mm		
FSC-4-PX	1/4	0.12	3.05	3.29	83.57	1.86	47.24	0.29	7.37	1.14	28.96	0.50	12.70	0.50	12.70	11/16	11/16
FSC-6-PX	3/8	0.25	6.35	3.47	88.14	1.94	49.28	0.29	7.37	1.24	31.50	0.50	12.70	0.63	16.00	15/16	13/16
FSC-8-PX	1/2	0.38	9.65	3.67	93.22	2.04	51.82	0.29	7.37	1.36	34.54	0.50	12.70	0.75	19.05	1 1/16	15/16
FSC-12-PX	3/4	0.62	15.75	3.85	97.80	2.11	53.59	0.29	7.37	1.45	36.83	0.50	12.70	1.00	25.40	1 3/16	1 3/16

**Straight Connector  
Panel Mount,  
Extended Redi-flare**



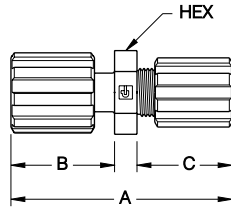
Part Number	Tube Size	Orifice		A		B		C		D		E (max.)		Hole Size		Hex 1 Size	Hex 2 Size
		inch	mm	inch	mm	inch	mm	inch	mm	inch	mm	inch	mm	inch	mm		
FSC-44RF-PX	1/4	0.13	3.30	3.33	84.58	1.86	47.24	0.29	7.37	1.18	29.97	0.50	12.7	0.63	16.00	11/16	11/16

**Straight Connector  
Reducer**



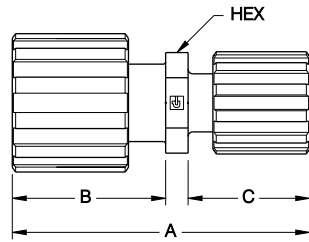
Part Number	Tube Size	Orifice		A		B		C		Hex Size
		inch	mm	inch	mm	inch	mm	inch	mm	
FSCR-64	3/8 X 1/4	0.12	3.05	2.69	68.33	1.21	30.73	1.18	29.97	13/16
FSCR-84	1/2 x 1/4	0.13	3.30	2.82	71.63	1.38	35.05	1.15	29.21	15/16
FSCR-86	1/2 X 3/8	0.25	6.35	2.84	72.14	1.34	34.04	1.22	30.99	15/16
FSCR-124	3/4 X 1/4	0.12	3.05	2.69	68.33	1.43	36.32	1.14	28.96	1 3/16
FSCR-126	3/4 X 3/8	0.25	6.35	2.93	74.42	1.43	36.32	1.21	30.73	1 3/16
FSCR-128	3/4 X 1/2	0.38	9.65	3.08	78.23	1.45	36.83	1.33	33.78	1 3/16
FSCR-168	1 X 1/2	0.37	9.40	3.39	86.11	1.77	44.96	1.33	33.78	1 7/16
FSCR-1612	1 X 3/4	0.62	15.75	3.51	89.15	1.78	45.21	1.45	36.83	1 7/16
FSCR-2016	1 1/4 X 1	0.87	22.10	4.43	112.52	2.16	54.86	1.77	44.96	N/A

**Straight Connector  
Reducer,  
Redi-flare**



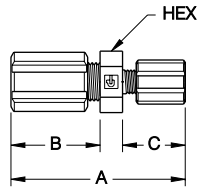
Part Number	Tube Size	Orifice		A		B		C		Hex Size
		inch	mm	inch	mm	inch	mm	inch	mm	
FSCR-6RF4	3/8 RF X 1/4 F	0.12	3.05	2.68	68.07	1.23	31.24	1.16	29.46	11/16
FSCR-8RF4	1/2 RF X 1/4 F	0.12	3.05	2.78	70.61	1.32	33.53	1.15	29.21	11/16
FSCR-8RF6	1/2 RF X 3/8 F	0.25	6.35	2.71	68.83	1.20	30.48	1.22	30.99	5/8
FSCR-86RF	1/2 F X 3/8 RF	0.25	6.35	2.89	73.41	1.25	31.75	1.35	34.29	15/16
FSCR-12RF4	3/4 RF X 1/4 F	0.12	3.05	2.97	75.44	1.52	38.61	1.16	29.46	15/16
FSCR-12RF6	3/4 RF X 3/8 F	0.25	6.35	3.10	78.74	1.59	40.39	1.22	30.99	15/16
FSCR-12RF8	3/4 RF X 1/2 F	0.38	9.65	3.18	80.77	1.54	39.12	1.35	34.29	15/16
FSCR-128RF	3/4 F X 1/2 RF	0.38	9.65	3.09	78.49	1.34	34.04	1.46	37.08	1 3/16
FSCR-16RF8	1 RF X 1/2 F	0.38	9.65	3.67	93.22	2.03	51.56	1.35	34.29	1 7/16
FSCR-168RF	1 F X 1/2 RF	0.38	9.65	3.43	87.12	1.34	34.04	1.80	45.72	1 7/16
FSCR-16RF12	1 RF X 3/4 F	0.63	16.00	3.87	98.30	2.03	51.56	1.55	39.37	1 3/16
FSCR-1612RF	1 F X 3/4 RF	0.63	16.00	3.66	92.96	1.57	39.88	1.80	45.72	1 7/16

**Straight Connector  
Reducer,  
Redi-flare**



Part Number	Tube Size	Orifice		A		B		C		Hex Size
		inch	mm	inch	mm	inch	mm	inch	mm	
FSCR-16RF12RF	1 X 3/4	0.63	16.00	3.84	97.54	1.98	50.29	1.57	39.88	1 1/8

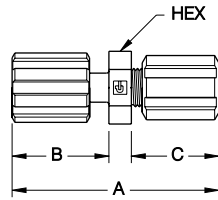
**Straight Connector  
Reducer,  
Pargrip**



Part Number	Tube Size	Orifice		A		B		C		Hex Size
		inch	mm	inch	mm	inch	mm	inch	mm	
FSCR-42G	1/4 X 1/8	0.09	2.29	2.19	55.63	1.15	29.21	0.75	19.05	11/16

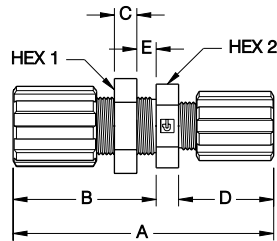


**Straight Connector  
Reducer,  
Redi-flare Pargrip**



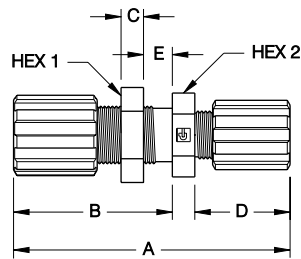
Part Number	Tube Size	Orifice		A		B		C		Hex Size
		inch	mm	inch	mm	inch	mm	inch	mm	
FSCR-4RF2G	1/4 X 1/8	0.09	2.29	2.22	56.39	1.18	29.97	0.75	19.05	11/16
FSCR-6RF4G	3/8 X 1/4	0.13	3.30	2.67	67.82	1.25	31.75	1.13	28.70	11/16

**Straight Connector  
Reducer  
Panel Mount**



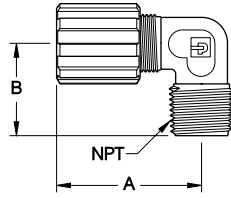
Part Number	Tube Size	Orifice		A		B		C		D		E (max.)		Hole Size		Hex 1 Size	Hex 2 Size
		inch	mm	inch	mm	inch	mm	inch	mm	inch	mm	inch	mm	inch	mm		
FSCR-64-P	3/8 X 1/4	0.12	3.05	3.18	80.77	1.73	43.94	0.29	7.37	1.16	29.46	0.25	6.35	0.63	16.00	15/16	13/16
FSCR-84-P	1/2 X 1/4	0.12	3.05	3.25	82.55	1.83	46.48	0.29	7.37	1.13	28.70	0.25	6.35	0.75	19.05	1 1/16	15/16
FSCR-86-P	1/2 X 3/8	0.25	6.35	3.37	85.60	1.86	47.24	0.29	7.37	1.22	30.99	0.25	6.35	0.75	19.05	1 1/16	15/16
FSCR-126-P	3/4 X 3/8	0.25	6.35	3.63	92.20	2.11	53.59	0.29	7.37	1.23	31.24	0.50	12.7	1.00	25.40	1 5/16	1 3/16
FSCR-128-P	3/4 X 1/2	0.38	9.65	3.71	94.23	2.09	53.09	0.29	7.37	1.33	33.78	0.25	6.35	1.00	25.40	1 5/16	1 3/16
FSCR-1216-P	3/4 X 1	0.63	16.00	4.15	105.41	2.10	53.34	0.29	7.37	1.76	44.70	0.25	6.35	1.00	25.40	1 5/16	1 7/16
FSCR-1612-P	1 X 3/4	0.62	15.85	4.08	103.63	2.34	59.44	0.29	7.37	1.46	37.08	0.50	12.7	1.44	36.58	1 3/4	1 3/4

**Straight Connector  
Reducer  
Panel Mount,  
Extended**



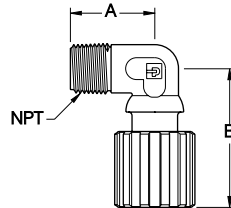
Part Number	Tube Size	Orifice		A		B		C		D		E (max.)		Hole Size		Hex 1 Size	Hex 2 Size
		inch	mm	inch	mm	inch	mm	inch	mm	inch	mm	inch	mm	inch	mm		
FSCR-86-PX	1/2 X 3/8	0.25	6.35	3.55	90.17	2.04	51.82	0.29	7.37	1.22	30.99	0.50	12.7	0.75	19.05	1 1/16	15/16

**Adaptor Male  
Elbow**



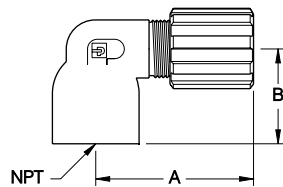
Part Number	Tube Size	NPT Size	Orifice		A		B	
			inch	mm	inch	mm	inch	mm
FAME-42	1/4	1/8	0.12	5.08	1.70	43.18	1.08	27.43
FAME-44	1/4	1/4	0.12	3.05	1.68	42.67	1.08	27.43
FAME-46	1/4	3/8	0.12	3.05	1.67	42.42	1.08	27.43
FAME-48	1/4	1/2	0.12	3.05	1.68	42.67	1.20	30.48
FAME-62	3/8	1/8	0.25	6.35	1.77	44.96	1.08	27.43
FAME-64	3/8	1/4	0.25	6.35	1.74	44.20	1.08	27.43
FAME-66	3/8	3/8	0.25	6.35	1.75	44.45	1.08	27.43
FAME-68	3/8	1/2	0.25	6.35	1.77	44.96	1.18	29.97
FAME-612	3/8	3/4	0.25	6.35	1.89	48.01	1.36	34.54
FAME-84	1/2	1/4	0.38	9.65	1.86	47.24	1.07	27.18
FAME-86	1/2	3/8	0.38	9.65	1.93	49.02	1.08	27.43
FAME-88	1/2	1/2	0.38	9.65	1.86	47.24	1.19	30.23
FAME-812	1/2	3/4	0.38	9.65	2.04	51.82	1.37	34.80
FAME-128	3/4	1/2	0.54	13.72	2.17	55.12	1.37	34.80
FAME-1212	3/4	3/4	0.63	16.00	2.16	54.86	1.37	34.80
FAME-1216	3/4	1	0.63	16.00	2.30	58.42	1.81	45.97
FAME-1612	1	3/4	0.66	16.76	2.78	70.61	1.64	41.66
FAME-1616	1	1	0.88	22.35	2.75	69.85	1.82	46.23

**Adaptor Male  
Elbow,  
Redi-flare**



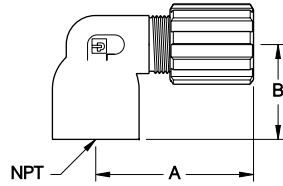
Part Number	Tube Size	NPT Size	Orifice		A		B	
			inch	mm	inch	mm	inch	mm
FAME-4RF4	1/4	1/4	0.12	3.30	1.07	27.18	1.70	43.18
FAME-12RF8	3/4	1/2	0.53	13.46	1.39	35.31	2.29	58.17
FAME-12RF12	3/4	3/4	0.63	16.00	1.36	34.54	2.27	57.66
FAME-16RF16	1	1	0.88	22.35	1.87	47.50	2.95	74.93

**Adaptor Female  
Elbow**



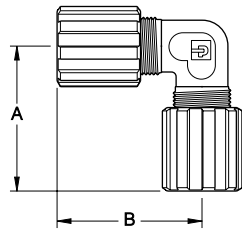
Part Number	Tube Size	NPT Size	Orifice		A		B	
			inch	mm	inch	mm	inch	mm
FAFE-42	1/4	1/8	0.12	3.05	1.89	48.01	0.84	21.34
FAFE-44	1/4	1/4	0.12	3.05	1.87	47.50	0.98	24.89
FAFE-64	3/8	1/4	0.25	6.35	1.96	49.78	0.98	24.89

**Adaptor Female  
Elbow  
cont.**



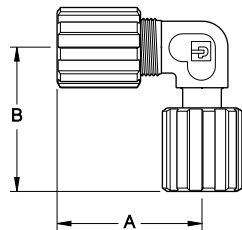
Part Number	Tube Size	NPT Size	Orifice		A		B	
			inch	mm	inch	mm	inch	mm
FAFE-66	3/8	3/8	0.25	6.35	1.77	44.96	0.98	24.89
FAFE-68	3/8	1/2	0.25	6.35	1.96	49.78	1.24	31.50
FAFE-84	1/2	1/4	0.31	7.87	2.10	53.34	0.98	24.89
FAFE-86	1/2	3/8	0.38	9.65	2.11	53.59	0.99	25.15
FAFE-88	1/2	1/2	0.38	9.65	2.05	52.07	1.25	31.75
FAFE-128	3/4	1/2	0.63	16.00	2.38	60.45	1.69	42.93
FAFE-1212	3/4	3/4	0.63	16.00	2.47	62.74	2.19	55.63
FAFE-1616	1	1	0.88	22.35	2.74	69.60	1.60	40.64

**Elbow Connector**



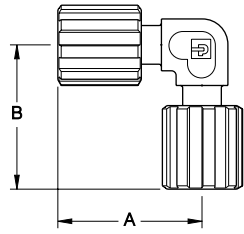
Part Number	Tube Size	Orifice		A		B	
		inch	mm	inch	mm	inch	mm
FEC-4	1/4	0.12	3.05	1.69	42.93	1.69	42.93
FEC-6	3/8	0.25	6.35	1.77	44.96	1.77	44.96
FEC-8	1/2	0.38	9.65	1.91	48.51	1.91	48.51
FEC-12	3/4	0.63	16.00	2.14	54.36	2.14	54.36
FEC-16	1	0.87	22.10	2.75	69.85	2.75	69.85
FEC-20	1 1/4	1.09	27.69	3.42	86.87	3.42	86.87

**Elbow Connector  
Redi-flare**



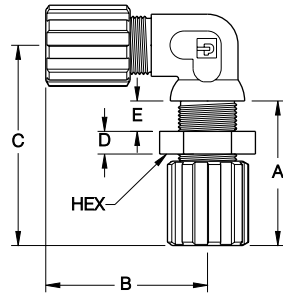
Part Number	Tube Size	Orifice		A		B	
		inch	mm	inch	mm	inch	mm
FEC-44RF	1/4 X 1/4	0.12	3.05	1.73	43.94	1.60	40.64
FEC-66RF	3/8 X 3/8	0.25	6.35	1.76	44.70	1.70	43.18
FEC-88RF	1/2 X 1/2	0.38	9.65	1.86	47.24	1.80	45.72
FEC-1212RF	3/4 X 3/4	0.63	16.00	2.15	54.61	2.20	55.88
FEC-1616RF	1 X 1	0.87	22.10	2.56	65.02	2.80	71.12
FEC-2020RF	1 1/4 X 1 1/4	1.10	27.94	3.42	86.87	3.67	93.22

**Elbow Connector  
Redi-flare**



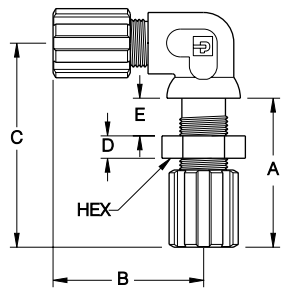
Part Number	Tube Size	Orifice		A		B	
		inch	mm	inch	mm	inch	mm
FEC-4RF	1/4	0.16	4.06	1.70	43.18	1.70	43.18
FEC-6RF	3/8	0.25	6.35	1.76	44.70	1.76	44.70
FEC-8RF	1/2	0.38	9.65	1.74	44.20	1.74	44.20
FEC-12RF	3/4	0.62	15.75	2.30	58.42	2.30	58.42
FEC-16RF	1	0.87	22.10	2.85	72.39	2.85	72.39

**Elbow Connector  
Panel Mount**



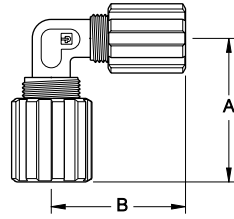
Part Number	Tube Size	Orifice		A		B		C		D		E (max.)		Hole Size		Hex Size
		inch	mm	inch	mm	inch	mm	inch	mm	inch	mm	inch	mm	inch	mm	
FEC-4-P	1/4	0.12	3.05	1.68	42.67	1.70	43.18	2.21	56.13	0.29	7.37	0.25	6.35	0.50	12.70	11/16
FEC-6-P	3/8	0.25	6.35	1.75	44.45	1.95	49.53	2.45	62.23	0.29	7.37	0.25	6.35	0.63	16.00	15/16
FEC-8-P	1/2	0.38	9.65	1.85	46.99	1.90	48.26	2.56	65.02	0.29	7.37	0.25	6.35	0.75	19.05	1 1/16

**Elbow Connector  
Panel Mount,  
Extended**



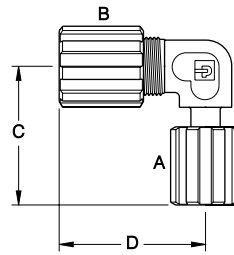
Part Number	Tube Size	Orifice		A		B		C		D		E (max.)		Hole Size		Hex Size
		inch	mm	inch	mm	inch	mm	inch	mm	inch	mm	inch	mm	inch	mm	
FEC-4-PX	1/4	0.12	3.05	1.86	47.24	1.66	42.16	2.38	60.45	0.29	7.37	0.50	12.70	0.50	12.70	11/16
FEC-6-PX	3/8	0.25	6.35	1.89	48.01	1.88	47.75	2.60	66.04	0.29	7.37	0.50	12.70	0.63	16.00	15/16

**Elbow Connector  
Reducer**



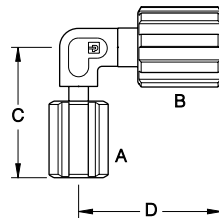
Part Number	Tube Size	Orifice		A		B	
		inch	mm	inch	mm	inch	mm
FECR-64	3/8 X 1/4	0.12	3.05	1.75	44.45	1.71	43.43
FECR-84	1/2 X 1/4	0.13	3.30	1.87	47.50	1.68	42.67
FECR-86	1/2 X 3/8	0.25	6.35	1.87	47.50	1.77	44.96
FECR-124	3/4 X 1/4	0.12	3.05	2.18	55.37	1.89	48.01
FECR-126	3/4 X 3/8	0.25	6.35	2.16	54.86	1.95	49.53
FECR-128	3/4 X 1/2	0.38	9.65	2.17	55.12	2.10	53.34
FECR-1612	1 X 3/4	0.62	15.75	2.75	69.85	2.39	60.71
FECR-2016	1 1/4 X 1	0.88	22.35	2.80	71.12	3.42	86.87

**Elbow Connector  
Reducer,  
Redi-flare**



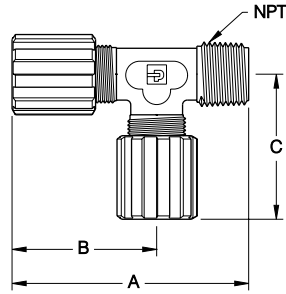
Part Number	A	B	Orifice		C		D	
	Tube Size		inch	mm	inch	mm	inch	mm
FECR-6RF4	3/8	1/4	0.13	3.30	1.76	44.70	1.66	42.16
FECR-64RF	1/4	3/8	0.15	3.81	1.69	42.93	1.74	44.20
FECR-8RF6	1/2	3/8	0.25	6.35	1.77	44.96	1.80	45.72
FECR-86RF	3/8	1/2	0.38	9.65	1.86	47.24	1.88	47.75
FECR-12RF8	3/4	1/2	0.38	9.65	2.28	57.91	2.07	52.58
FECR-128RF	1/2	3/4	0.38	9.65	2.04	51.82	2.16	54.86

**Elbow Connector  
Reducer,  
Redi-flare**



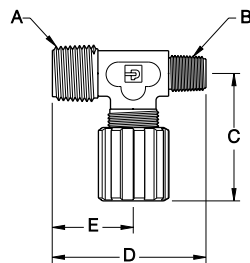
Part Number	A	B	Orifice		C		D	
	Tube Size		inch	mm	inch	mm	inch	mm
FECR-6RF4RF	1/4	3/8	0.15	3.81	1.69	42.93	1.76	44.70
FECR-8RF4RF	1/4	1/2	0.15	3.81	1.69	42.93	1.85	46.99

Adaptor Male Tee



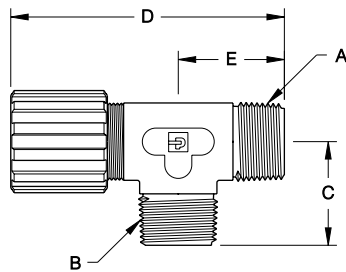
Part Number	Tube Size	NPT Size	Orifice		A		B		C	
			inch	mm	inch	mm	inch	mm	inch	mm
FAMT-424	1/4 X 1/4	1/8	0.12	3.05	2.78	70.61	1.70	43.18	1.68	42.67
FAMT-444	1/4 X 1/4	1/4	0.12	3.05	2.77	70.36	1.68	42.67	1.68	42.67
FAMT-464	1/4 X 1/4	3/8	0.12	3.05	2.77	70.36	1.69	42.93	1.68	42.67
FAMT-626	3/8 X 3/8	1/8	0.20	5.08	2.82	71.63	1.73	43.94	1.73	43.94
FAMT-646	3/8 X 3/8	1/4	0.25	6.35	2.80	71.12	1.73	43.94	1.73	43.94
FAMT-666	3/8 X 3/8	3/8	0.25	6.35	2.82	71.63	1.73	43.94	1.73	43.94
FAMT-686	3/8 X 3/8	1/2	0.25	6.35	2.91	73.91	1.72	43.69	1.73	43.94
FAMT-848	1/2 X 1/2	1/4	0.29	7.37	2.94	74.68	1.87	47.50	1.88	47.75
FAMT-868	1/2 X 1/2	3/8	0.38	9.65	2.89	73.41	1.83	46.48	1.83	46.48
FAMT-888	1/2 X 1/2	1/2	0.38	9.65	3.04	77.22	1.84	46.74	1.84	46.74
FAMT-12812	3/4 X 3/4	1/2	0.53	13.46	3.45	87.63	2.08	52.83	2.08	52.83
FAMT-12128	3/4 X 1/2	3/4	0.38	9.65	3.48	88.39	2.14	54.36	2.03	51.56
FAMT-121212	3/4 X 3/4	3/4	0.61	15.49	3.43	87.12	2.06	52.32	2.07	52.58

Adaptor Male Tee



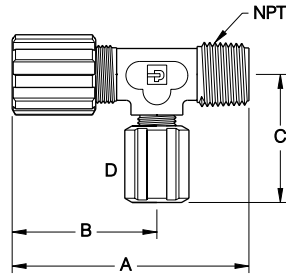
Part Number	Tube Size	A NPT Size	B NPT Size	Orifice		C		D		E	
				inch	mm	inch	mm	inch	mm	inch	mm
FAMT-4MP88	1/2	1/2	1/4	.29	7.37	1.85	46.99	2.27	57.66	1.19	30.23
FAMT-4MP1212	3/4	3/4	1/4	.29	7.37	2.16	54.86	2.62	66.55	1.38	35.05

Adaptor Male Tee



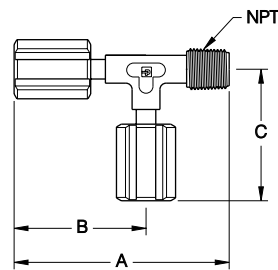
Part Number	Tube Size	A NPT Size	B NPT Size	Orifice		C		D		E	
				inch	mm	inch	mm	inch	mm	inch	mm
FAMT-121212MP	3/4	3/4	3/4	0.63	16.00	1.34	34.04	3.54	89.92	1.37	34.80

**Adaptor Male Tee, Pargrip**



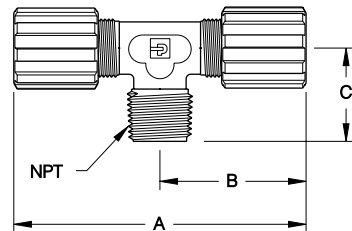
Part Number	Tube Size	NPT Size	D Pargrip Size	Orifice		A		B		C	
				inch	mm	inch	mm	inch	mm	inch	mm
FAMT-844G	1/2	1/4	1/4	0.16	3.96	2.94	74.68	1.87	47.50	1.65	41.91
FAMT-884G	1/2	1/2	1/4	0.16	3.96	3.06	77.72	1.68	42.67	1.68	42.67

**Adaptor Male Tee, Redi-flare**



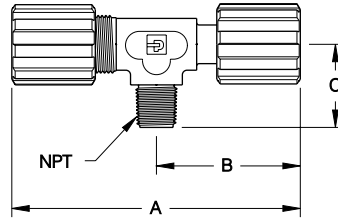
Part Number	Tube Size	NPT Size	Orifice		A		B		C	
			inch	mm	inch	mm	inch	mm	inch	mm
FAMT-4RF44RF	1/4 X 1/4	1/4	0.13	3.30	2.78	70.61	1.71	43.43	1.70	43.18
FAMT-12RF1212RF	3/4 X 3/4	3/4	0.63	16.00	3.59	91.19	2.25	57.15	2.25	57.15

**Branch Male Tee**



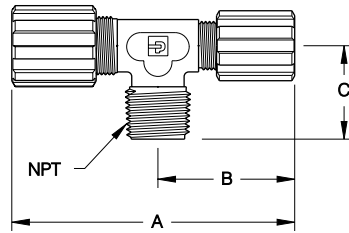
Part Number	Tube Size	NPT Size	Orifice		A		B		C	
			inch	mm	inch	mm	inch	mm	inch	mm
FBMT-442	1/4 X 1/4	1/8	0.12	3.05	3.47	88.14	1.73	43.94	1.08	27.43
FBMT-444	1/4 X 1/4	1/4	0.12	3.05	3.35	85.09	1.67	42.42	1.07	27.18
FBMT-662	3/8 X 3/8	1/8	0.20	5.08	3.52	89.41	1.76	44.70	1.07	27.18
FBMT-664	3/8 X 3/8	1/4	0.25	6.35	3.48	88.39	1.74	44.20	1.07	27.18
FBMT-666	3/8 X 3/8	3/8	0.25	6.35	3.46	87.88	1.73	43.94	1.07	27.18
FBMT-668	3/8 X 3/8	1/2	0.25	6.35	3.48	88.39	1.73	43.94	1.18	29.97
FBMT-884	1/2 X 1/2	1/4	0.29	7.37	3.72	94.49	1.86	47.24	1.08	27.43
FBMT-886	1/2 X 1/2	3/8	0.38	9.65	3.71	94.23	1.85	46.99	1.07	27.18
FBMT-888	1/2 X 1/2	1/2	0.38	9.65	3.70	93.98	1.85	46.99	1.18	29.97
FBMT-12124	3/4 X 3/4	1/4	0.29	7.24	4.17	105.92	2.08	52.83	1.26	32.00
FBMT-12128	3/4 X 3/4	1/2	0.52	13.21	4.19	106.43	2.09	53.09	1.37	34.80
FBMT-121212	3/4 X 3/4	3/4	0.62	15.75	4.20	106.68	2.10	53.34	1.37	34.80
FBMT-16164	1 X 1	1/4	0.28	7.11	5.50	139.70	2.75	69.85	1.55	39.37

**Branch Male Tee,  
Redi-flare**



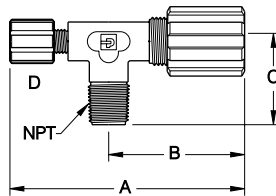
Part Number	Tube Size	NPT Size	Orifice		A		B		C	
			inch	mm	inch	mm	inch	mm	inch	mm
FBMT-88RF4	1/2 X 1/2	1/4	0.29	7.37	3.73	94.74	1.87	47.50	1.07	27.18

**Branch Male Tee  
Reducer**



Part Number	Tube Size	NPT Size	Orifice		A		B		C	
			inch	mm	inch	mm	inch	mm	inch	mm
FBMTR-644	3/8 X 1/4	1/4	0.12	3.05	3.44	87.38	1.69	42.93	1.08	27.43
FBMTR-646	3/8 X 1/4	3/8	0.12	3.05	3.43	87.12	1.69	42.93	1.08	27.43
FBMTR-866	1/2 X 3/8	3/8	0.25	6.35	3.59	91.19	1.76	44.70	1.08	27.43
FBMTR-868	1/2 X 3/8	1/2	0.25	6.35	3.62	91.95	1.75	44.45	1.19	30.23
FBMTR-844	1/2 X 1/4	1/4	0.13	3.30	3.54	89.92	1.67	42.42	1.08	27.43
FBMTR-848	1/2 X 1/4	1/2	0.12	3.05	3.52	89.41	1.64	41.66	1.19	30.23
FBMTR-8128	1/2 X 3/4	1/2	0.38	9.65	4.23	107.44	2.17	55.12	1.35	34.29

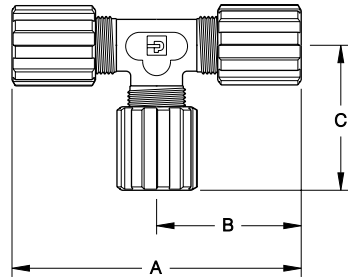
**Branch Male Tee  
Reducer,  
Pargrip**



Part Number	Tube Size	NPT Size	D Pargrip Size	Orifice		A		B		C	
				inch	mm	inch	mm	inch	mm	inch	mm
FBMTR-2G64	3/8	1/4	1/8	0.09	2.29	3.03	76.96	1.76	44.70	1.08	27.43
FBMTR-2G66	3/8	3/8	1/8	0.13	3.30	3.40	86.36	1.12	28.45	1.08	27.43

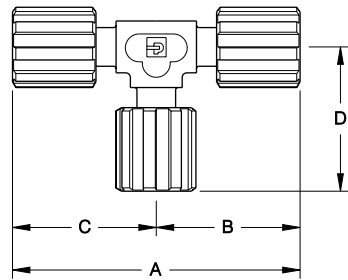


**Tee Connector**



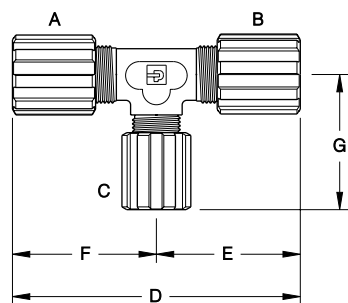
Part Number	Tube Size	Orifice		A		B		C	
		inch	mm	inch	mm	inch	mm	inch	mm
FTC-4	1/4	0.12	3.05	3.36	85.34	1.68	42.67	1.68	42.67
FTC-6	3/8	0.25	6.35	3.52	89.41	1.76	44.70	1.76	44.70
FTC-8	1/2	0.38	9.65	3.69	93.73	1.84	46.74	1.84	46.74
FTC-12	3/4	0.63	16.00	4.30	109.22	2.15	54.61	2.15	54.61
FTC-16	1	0.87	22.10	5.48	139.19	2.74	69.60	2.74	69.60
FTC-20	1 1/4	1.10	27.94	6.85	173.99	3.42	86.87	3.42	86.87

**Tee Connector,  
Redi-flare**



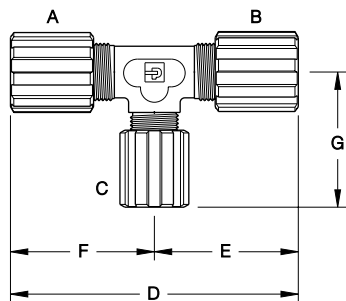
Part Number	Tube Size	Orifice		A		B		C		D	
		inch	mm	inch	mm	inch	mm	inch	mm	inch	mm
FTC-4RF	1/4	0.15	3.81	3.41	86.61	1.71	43.43	1.71	43.43	1.70	43.18
FTC-6RF	3/8	0.25	6.35	3.55	90.17	1.78	45.21	1.78	45.21	1.78	45.21
FTC-8RF	1/2	0.38	9.65	3.70	93.98	1.85	46.99	1.85	46.99	1.85	46.99
FTC-12RF	3/4	0.63	16.00	4.80	121.92	2.40	60.96	2.40	60.96	2.40	60.96
FTC-16RF	1	0.88	22.35	6.01	152.65	3.00	76.20	3.00	76.20	2.99	75.95

**Tee Connector  
Reducer**



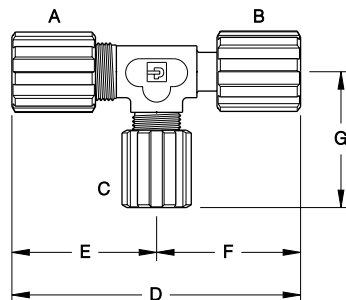
Part Number	A	B	C	Orifice		D		E		F		G	
	Tube Size			inch	mm	inch	mm	inch	mm	inch	mm	inch	mm
FTCR-446	1/4	1/4	3/8	0.12	3.05	3.35	85.09	1.68	42.67	1.68	42.67	1.74	44.20
FTCR-466	1/4	3/8	3/8	0.12	3.05	3.46	87.88	1.74	44.20	1.72	43.69	1.74	44.20
FTCR-448	1/4	1/4	1/2	0.12	3.05	3.30	83.82	1.65	41.91	1.65	41.91	1.86	47.24
FTCR-644	3/8	1/4	1/4	0.12	3.05	3.43	87.12	1.68	42.67	1.76	44.70	1.68	42.67
FTCR-664	3/8	3/8	1/4	0.12	3.05	3.52	89.41	1.76	44.70	1.76	44.70	1.68	42.67

**Tee Connector  
Reducer  
cont.**



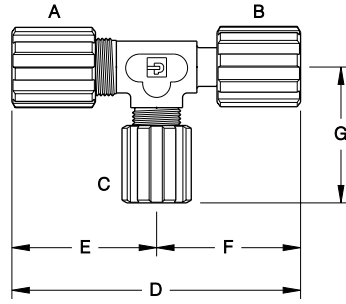
Part Number	A	B	C	Orifice		D		E		F		G	
	Tube Size			inch	mm	inch	mm	inch	mm	inch	mm	inch	mm
FTCR-668	3/8	3/8	1/2	0.25	6.35	3.48	88.39	1.74	44.20	1.74	44.20	1.85	46.99
FTCR-6612	3/8	3/8	3/4	0.25	6.35	3.80	96.52	1.90	48.26	1.90	48.26	2.18	55.37
FTCR-844	1/2	1/4	1/4	0.12	3.05	3.65	92.71	1.73	43.94	1.92	48.77	1.73	43.94
FTCR-848	1/2	1/4	1/2	0.12	3.05	3.52	89.41	1.69	42.93	1.83	46.48	1.83	46.48
FTCR-884	1/2	1/2	1/4	0.12	3.30	3.72	94.49	1.86	47.24	1.86	47.24	1.67	42.42
FTCR-866	1/2	3/8	3/8	0.25	6.35	3.65	92.71	1.73	43.94	1.92	48.77	1.73	43.94
FTCR-868	1/2	3/8	1/2	0.25	6.35	3.67	93.22	1.78	45.21	1.89	48.01	1.89	48.01
FTCR-886	1/2	1/2	3/8	0.25	6.35	3.70	93.98	1.85	46.99	1.85	46.99	1.73	43.94
FTCR-8812	1/2	1/2	3/4	0.37	9.40	4.12	104.65	2.06	52.32	2.06	52.32	2.19	55.63
FTCR-1248	3/4	1/4	1/2	0.12	3.05	3.93	99.82	1.84	46.74	2.09	53.09	2.05	52.07
FTCR-12412	3/4	1/4	3/4	0.12	3.05	4.01	101.85	1.85	46.99	2.16	54.86	2.14	54.36
FTCR-1288	3/4	1/2	1/2	0.38	9.65	4.11	104.39	2.03	51.56	2.08	52.83	2.03	51.56
FTCR-12124	3/4	3/4	1/4	0.12	3.05	4.19	106.43	2.10	53.34	2.10	53.34	1.85	46.99
FTCR-12126	3/4	3/4	3/8	0.25	6.35	4.32	109.73	2.16	54.86	2.16	54.86	1.92	48.77
FTCR-12128	3/4	3/4	1/2	0.38	9.65	4.30	109.22	2.15	54.61	2.15	54.61	2.04	51.82
FTCR-12612	3/4	3/8	3/4	0.25	6.35	3.99	101.35	1.89	48.01	2.10	53.34	2.10	53.34
FTCR-12812	3/4	1/2	3/4	0.38	9.53	4.17	105.92	2.02	51.31	2.15	54.61	2.15	54.61
FTCR-16416	1	1/4	1	0.12	3.05	4.87	123.70	2.11	53.59	2.76	70.10	2.76	70.10
FTCR-1688	1	1/2	1/2	0.38	9.65	5.07	128.78	2.31	58.67	2.76	70.10	2.31	58.67
FTCR-161212	1	3/4	3/4	0.63	16.00	5.21	132.33	2.43	61.72	2.77	70.36	2.42	61.47
FTCR-161216	1	3/4	1	0.63	16.00	5.21	132.33	2.43	61.72	2.77	70.36	2.76	70.10
FTCR-16164	1	1	1/4	0.12	3.05	5.52	140.21	2.76	70.10	2.76	70.10	2.11	53.59
FTCR-16166	1	1	3/8	0.25	6.35	5.51	139.95	2.75	69.85	2.75	69.85	2.24	56.90
FTCR-16168	1	1	1/2	0.38	9.65	5.52	140.21	2.76	70.10	2.76	70.10	2.31	58.67
FTCR-161612	1	1	3/4	0.62	15.75	5.49	139.45	2.74	69.60	2.74	69.60	2.42	61.47
FTCR-201620	1 1/4	1	1 1/4	0.88	22.35	6.48	164.59	3.06	77.72	3.42	86.87	3.42	86.87
FTCR-202016	1 1/4	1 1/4	1	0.88	22.35	6.85	173.99	3.42	86.87	3.42	86.87	2.80	71.12

**Tee Connector  
Reducer,  
Redi-flare**



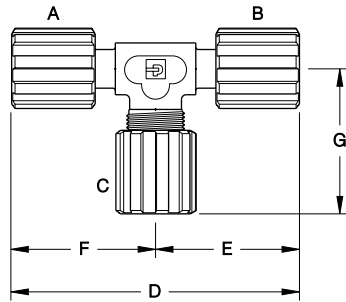
Part Number	A	B	C	Orifice		D		E		F		G	
	Tube Size			inch	mm	inch	mm	inch	mm	inch	mm	inch	mm
FTCR-66RF4	3/8	3/8	1/4	0.12	3.05	3.60	91.44	1.72	43.69	1.78	45.21	1.71	43.43
FTCR-66RF6	3/8	3/8	3/8	0.25	6.35	3.60	91.44	1.74	44.20	1.76	44.70	1.78	45.21
FTCR-8RF68	3/8	1/2	1/2	0.25	6.35	3.61	91.69	1.86	47.24	1.75	44.45	1.88	47.75
FTCR-88RF4	1/2	1/2	1/4	0.12	3.05	3.80	96.52	1.86	47.24	1.80	45.72	1.67	42.42

**Tee Connector  
Reducer,  
Redi-flare  
cont.**



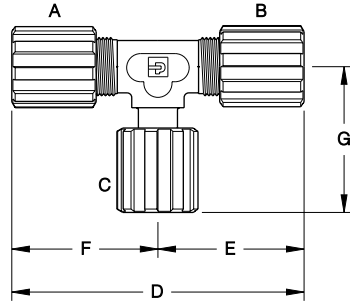
Part Number	A	B	C	Orifice		D		E		F		G	
	Tube Size			inch	mm	inch	mm	inch	mm	inch	mm	inch	mm
FTCR-88RF8	1/2	1/2	1/2	0.37	9.40	3.67	93.22	1.84	46.74	1.70	43.18	1.84	46.74
FTCR-12RF612	3/8	3/4	3/4	0.25	6.35	4.22	107.19	2.28	57.91	1.94	49.28	2.14	54.36
FTCR-128RF12	3/4	1/2	3/4	0.38	9.65	4.00	101.60	2.12	53.85	2.00	50.80	2.12	53.85
FTCR-1212RF4	3/4	3/4	1/4	0.12	3.05	4.45	113.03	2.17	55.12	2.28	57.91	1.83	46.48
FTCR-1212RF6	3/4	3/4	3/8	0.38	9.65	4.30	109.22	2.12	53.85	2.10	53.34	1.91	48.51
FTCR-1212RF8	3/4	3/4	1/2	0.38	9.65	4.45	113.03	2.17	55.12	2.28	57.91	2.03	51.56
FTCR-1212RF12	3/4	3/4	3/4	0.61	15.49	4.60	116.84	2.18	55.37	2.29	58.17	2.18	55.37
FTCR-164RF16	1	1/4	1	0.16	4.06	4.93	125.22	2.78	70.61	2.15	54.61	2.76	70.10
FTCR-1616RF16	1	1	1	0.88	22.35	5.40	137.16	2.77	70.36	2.70	68.58	2.77	70.36

**Tee Connector  
Reducer,  
Redi-flare**



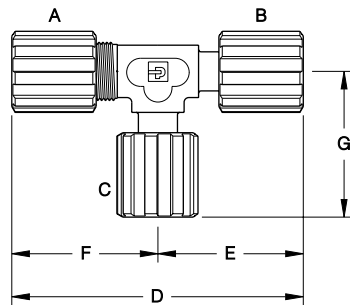
Part Number	A	B	C	Orifice		D		E		F		G	
	Tube Size			inch	mm	inch	mm	inch	mm	inch	mm	inch	mm
FTCR-4RF4RF4	1/4	1/4	1/4	0.12	3.05	3.41	86.61	1.71	43.43	1.71	43.43	1.67	42.42
FTCR-6RF6RF4	3/8	3/8	1/4	0.12	3.05	3.55	90.17	1.78	45.21	1.78	45.21	1.68	42.67
FTCR-6RF6RF6	3/8	3/8	3/8	0.25	6.35	3.50	88.90	1.70	43.18	1.70	43.18	1.70	43.18
FTCR-8RF8RF4	1/2	1/2	1/4	0.12	3.05	3.72	94.49	1.86	47.24	1.86	47.24	1.68	42.67
FTCR-8RF8RF8	1/2	1/2	1/2	0.37	9.40	3.67	93.22	1.83	46.48	1.83	46.48	1.86	47.24
FTCR-8RF8RF12	1/2	1/2	3/4	0.38	9.65	4.00	101.60	2.00	50.80	2.00	50.80	2.16	54.86
FTCR-12RF6RF8	3/4	3/8	1/2	0.25	6.35	4.24	107.70	2.28	57.91	1.96	49.78	2.03	51.56
FTCR-12RF8RF8	3/4	1/2	1/2	0.38	9.65	4.31	109.47	2.27	57.66	2.04	51.82	2.03	51.56
FTCR-12RF12RF12	3/4	3/4	3/4	0.61	15.49	4.52	114.81	2.26	57.40	2.26	57.40	2.12	53.85
FTCR-16RF16RF16	1	1	1	0.88	22.35	5.63	143.00	3.00	76.20	3.01	76.45	6.01	152.65

**Tee Connector  
Reducer,  
Redi-flare**



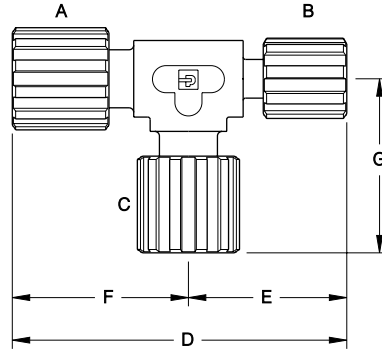
Part Number	A	B	C	Orifice		D		E		F		G	
	Tube Size			inch	mm	inch	mm	inch	mm	inch	mm	inch	mm
FTCR-444RF	1/4	1/4	1/4	0.12	3.05	3.40	86.36	1.70	43.18	1.70	43.18	1.60	40.64
FTCR-466RF	1/4	3/8	3/8	0.12	3.05	3.43	87.12	1.76	44.70	1.68	42.67	1.78	45.21
FTCR-664RF	3/8	3/8	1/4	0.15	3.81	3.52	89.41	1.76	44.70	1.76	44.70	1.70	43.18
FTCR-666RF	3/8	3/8	3/8	0.25	6.35	3.51	89.15	1.76	44.70	1.76	44.70	1.78	45.21
FTCR-884RF	1/2	1/2	1/4	0.15	3.81	3.74	95.00	1.87	47.50	1.87	47.50	1.71	43.43
FTCR-888RF	1/2	1/2	1/2	0.37	9.40	3.71	94.23	1.85	46.99	1.85	46.99	1.83	46.48
FTCR-12412RF	3/4	1/4	3/4	0.12	3.05	4.03	102.36	1.86	47.24	2.17	55.12	2.25	57.15
FTCR-12124RF	3/4	3/4	1/4	0.15	3.81	4.34	110.24	2.17	55.12	2.17	55.12	1.80	45.72
FTCR-12128RF	3/4	3/4	1/2	0.37	9.40	4.30	109.22	2.15	54.61	2.15	54.61	2.00	50.80
FTCR-121212RF	3/4	3/4	3/4	0.62	15.75	4.24	107.70	2.12	53.85	2.12	53.85	2.24	56.90
FTCR-16164RF	1	1	1/4	0.12	3.81	5.52	140.21	2.76	70.10	2.76	70.10	2.14	54.36
FTCR-161612RF	1	1	3/4	0.62	15.75	5.52	140.21	2.76	70.10	2.76	70.10	2.53	64.26
FTCR-161616RF	1	1	1	0.88	22.35	5.52	140.21	2.76	70.10	2.76	70.10	2.99	75.95

**Tee Connector  
Reducer,  
Redi-flare**



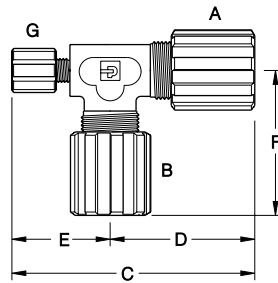
Part Number	A	B	C	Orifice		D		E		F		G	
	Tube Size			inch	mm	inch	mm	inch	mm	inch	mm	inch	mm
FTCR-44RF4RF	1/4	1/4	1/4	0.13	3.30	3.40	86.36	1.70	43.18	1.70	43.18	1.71	43.43
FTCR-66RF4RF	3/8	3/8	1/4	0.15	3.81	3.53	89.66	1.78	45.21	1.76	44.70	1.71	43.43
FTCR-66RF6RF	3/8	3/8	3/8	0.25	6.35	3.53	89.66	1.78	45.21	1.76	44.70	1.78	45.21
FTCR-88RF4RF	1/2	1/2	1/4	0.15	3.81	3.73	94.74	1.86	47.24	1.87	47.50	1.71	43.43
FTCR-88RF8RF	1/2	1/2	1/2	0.38	9.65	3.80	96.52	1.80	45.72	2.00	50.80	2.00	50.80
FTCR-812RF12RF	1/2	3/4	3/4	0.38	9.65	4.44	112.78	2.39	60.71	2.05	52.07	2.40	60.96
FTCR-124RF12RF	3/4	1/4	3/4	0.15	3.81	4.06	103.12	1.89	48.01	2.17	55.12	2.25	57.15
FTCR-12RF88RF	3/4	1/2	1/2	0.38	9.65	4.32	109.73	2.27	57.66	2.05	52.07	2.02	51.31
FTCR-1212RF8RF	3/4	3/4	1/2	0.37	9.40	4.37	111.00	2.20	55.88	2.07	52.58	2.02	51.31
FTCR-1212RF12RF	3/4	3/4	3/4	0.62	15.75	4.45	113.03	2.28	57.91	2.17	55.12	2.25	57.15
FTCR-1616RF8RF	1	1	1/2	0.38	9.65	5.78	146.81	3.00	76.20	2.78	70.61	2.30	58.42
FTCR-1616RF16RF	1	1	1	0.88	22.35	5.77	146.56	3.00	76.20	2.78	70.61	2.99	75.95
FTCR-2016RF20RF	1 1/4	1	1 1/4	0.88	22.35	6.48	164.59	3.06	77.72	3.42	86.87	3.98	101.09

**Tee Connector  
Reducer,  
Redi-flare**



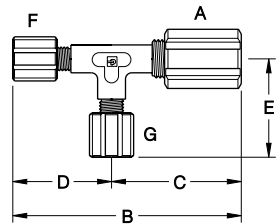
Part Number	A	B	C	Orifice		D		E		F		G	
	Tube Size			inch	mm	inch	mm	inch	mm	inch	mm	inch	mm
FTCR-6RF6RF4RF	3/8	3/8	1/4	0.15	3.81	3.55	90.17	1.78	45.21	1.78	45.21	1.71	43.43
FTCR-12RF8RF12RF	3/4	1/2	3/4	0.38	9.65	4.33	109.98	2.05	52.07	2.28	57.91	2.25	57.15
FTCR-12RF12RF8RF	3/4	3/4	1/2	0.38	9.65	4.56	115.82	2.28	57.91	2.28	57.91	2.02	51.31

**Tee Connector  
Reducer,  
Pargrip**



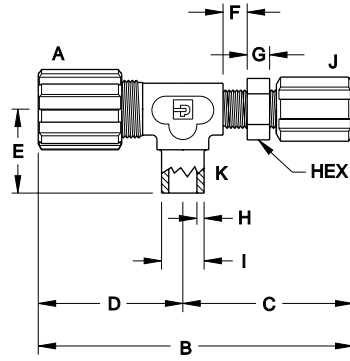
Part Number	A	B	G	Orifice		C		D		E		F	
	Tube Size			Pargrip Size	inch	mm	inch	mm	inch	mm	inch	mm	inch
FTCR-2G66	3/8	3/8	1/8	0.09	3.30	3.40	86.36	1.76	44.70	1.65	41.91	1.76	44.70
FTCR-2G88	1/2	1/2	1/8	0.09	2.29	3.14	79.76	1.87	47.50	1.27	32.26	1.88	47.75
FTCR-84G4	1/2	1/4	1/4	0.12	3.05	3.61	91.69	1.74	44.20	1.88	47.75	1.69	42.93

**Tee Connector  
Reducer,  
Pargrip**



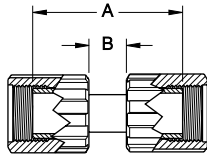
Part Number	A	F	G	Orifice		B		C		D		E	
	Tube Size	Pargrip Size	Pargrip Size	inch	mm	inch	mm	inch	mm	inch	mm	inch	mm
FTCR-42G2G	1/4	1/8	1/8	0.09	2.29	2.95	74.93	1.68	42.67	1.28	32.51	1.27	32.26

**Tee Connector  
Reducer  
Panel Mount,  
Pargrip,  
Parbond**



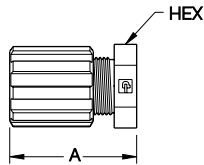
Part Number	A Tube Size	J Par- grip Size	K Par- bond Size	Orifice		B		C		D		E		F		G		H		I	
				inch	mm	inch	mm	inch	mm	inch	mm	inch	mm	inch	mm	inch	mm	inch	mm	inch	mm
FTCR-84GP4B	1/2	1/4	1/4	0.18	4.57	4.07	103.4	2.20	55.88	1.87	47.50	1.09	27.69	0.25	6.35	0.29	7.37	.088	2.24	0.54	13.72

**Redi-flare Tubing Union**



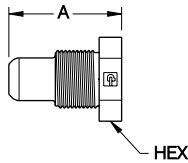
Part Number	Tube Size	A		B	
		inch	mm	inch	mm
RFM-4119	1/4	1.19	30.22	.15	3.81
RFM-4161	1/4	1.61	40.89	.50	12.70
RFM-4344	1/4	3.46	87.88	2.38	60.45
RFM-6133	3/8	1.40	35.56	.15	3.81
RFM-6188	3/8	1.88	47.75	.50	12.70
RFM-8151	1/2	1.52	38.61	.19	4.83
RFM-8201	1/2	2.01	51.05	.50	12.70
RFM-8389	1/2	3.86	98.04	2.31	58.67
RFM-8500	1/2	4.91	124.71	3.44	87.38
RFM-12209	3/4	2.09	53.09	.50	12.70
RFM-12290	3/4	3.75	95.25	1.44	36.58
RFM-12489	3/4	4.91	124.71	3.31	84.07
RFM-16223	1	2.23	56.64	.50	12.70
RFM-16380	1	3.91	99.31	2.19	55.63
RFM-20236	1 1/4	2.40	60.96	.50	12.70

**Tubing Plug, With Nut**



Part Number	Tube Size	A		Hex Size
		inch	mm	
FTPG-4	1/4	1.46	37.08	11/16
FTPG-6	3/8	1.43	36.32	13/16
FTPG-8	1/2	1.62	41.15	15/16
FTPG-12	3/4	1.73	43.94	1 3/16
FTPG-16	1	1.96	49.78	1 7/16

**Tubing Plug, Body Only**



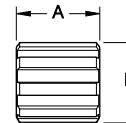
Part Number	Tube Size	A		Hex Size
		inch	mm	
1217-0250	1/4	1.29	32.77	11/16
1217-0251	3/8	1.55	39.37	13/16
1217-0252	1/2	1.44	36.58	15/16
1217-0253	3/4	1.54	39.12	1 3/16
1217-0254	1	1.78	45.21	1 7/16

**Fitting Cap**



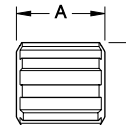
Part Number	Tube Size	A	
		inch	mm
FCAP-4	1/4	0.91	23.11
FCAP-6	3/8	1.02	25.91
FCAP-8	1/2	1.02	25.91
FCAP-12	3/4	1.09	27.69
FCAP-16	1	1.29	32.77

**Fitting Nut PVDF**



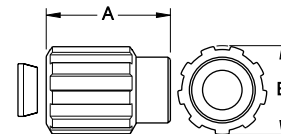
Part Number	Tube Size	A		B	
		inch	mm	inch	mm
1213-0004	1/4	0.99	25.15	0.79	20.07
1213-0006	3/8	1.00	25.40	0.92	23.37
1213-0008	1/2	1.08	27.43	1.05	26.67
1213-0012	3/4	1.25	31.75	1.34	34.04
1213-0016	1	1.50	38.10	1.81	45.97
1213-0020	1 1/4	1.88	47.75	2.31	58.67

**Fitting Nut PFA**



Part Number	Tube Size	A		B	
		inch	mm	inch	mm
1213-0204	1/4	0.97	24.64	0.84	21.34
1213-0206	3/8	0.98	24.89	0.94	23.88
1213-0208	1/2	1.14	28.96	1.10	27.94
1213-0212	3/4	1.23	31.24	1.41	35.81
1213-0216	1	1.46	37.08	1.87	47.50

**Fitting Nut Assembly High Temp.**



Part Number	Tube Size	A		B	
		inch	mm	inch	mm
1202-0007	1/4	1.20	30.48	0.79	20.07
1202-0008	3/8	1.25	31.75	0.94	23.88
1202-0009	1/2	1.60	40.64	1.15	29.21
1202-0010	3/4	1.70	43.18	1.41	35.81
1202-0011	1	2.00	50.80	1.81	45.97