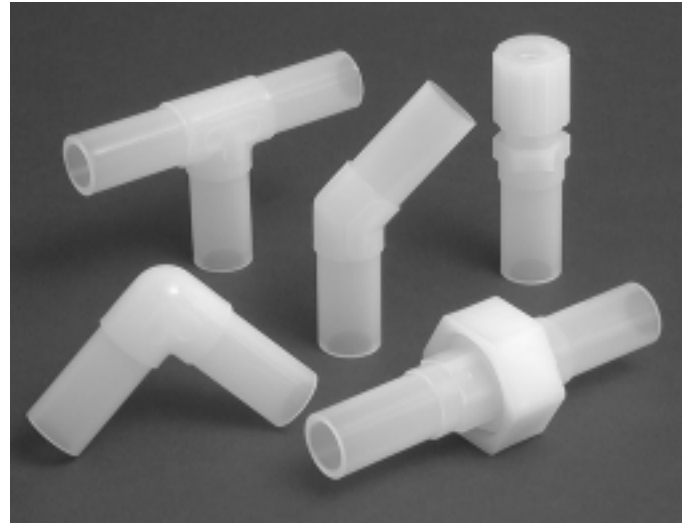


Product Overview:

The Partek Parbond Fitting line is ideally suited for any ultra-pure or corrosive chemical application. The fitting design yields a leak-tight, permanent connection that is ideal for high flow, minimal pressure drop applications. The connection is achieved by fusion welding the two ends together.



Features:

PFA body manufactured from virgin hi-purity resin.

High integrity fused weld connections.

Numerous configurations including reducers.

Benefits:

Less surface particulates resulting in cleaner operation.

Less down time, fewer leaks.

Reduced system complexity and cost.

Specifications:

Materials of Construction:

- Wetted Surfaces - PFA
- External Surfaces - PFA, PVDF

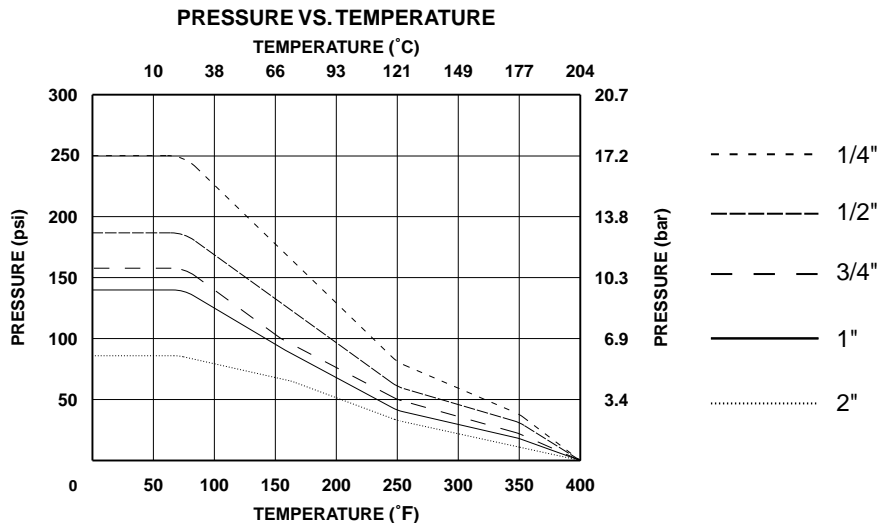
Pressure Ranges:

See Pressure/Temperature Chart below.

Temperature Ranges:

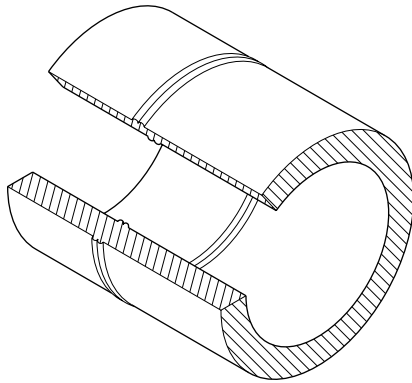
See Pressure/Temperature Chart below.

Parbond PFA fittings with Parflare ends are supplied with PVDF nuts as standard. For PFA nuts add -T to part number. Please consult factory for other available configurations and custom assemblies.

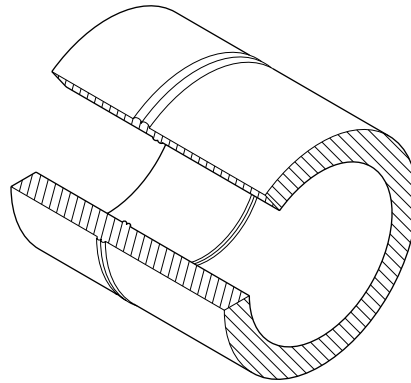


Bonding of Parbond fittings is accomplished by heating the two surfaces with a non-contact heat source to a molten state, pressing the two surfaces together, and allowing sufficient time to cool. Proper technique results in a permanent connection being made without introducing foreign matter or contamination.

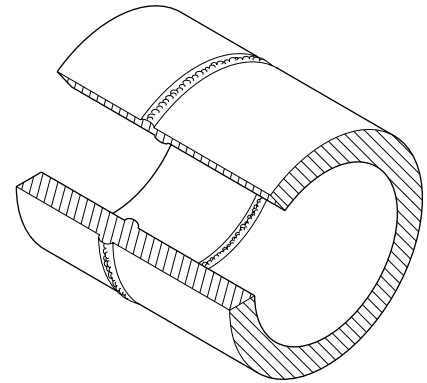
Below are examples of a correct and incorrect weld joints.



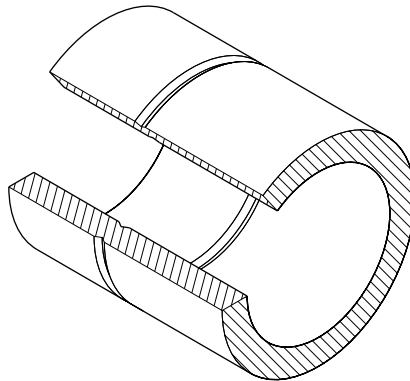
Correct Weld



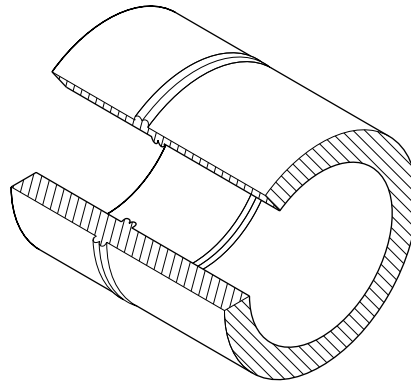
Condition- Weld bead uneven.
Causes- Incomplete facing operation.
Uneven heating.



Condition- Bubbles in weld joint.
Causes- Overheating of material
prior to joining.

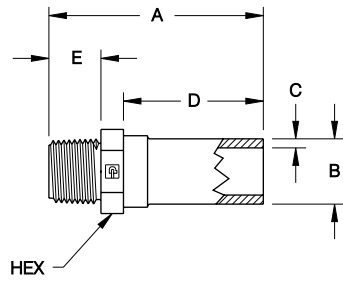


Condition- Lack of raised bead.
Causes- Insufficient joining force.
Joint weld distance too
far apart.



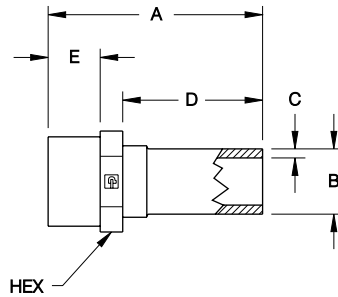
Condition- Weld bead too large.
Causes- Excessive joining force.
Joint weld distance too
close.

**Adaptor
Male Straight**



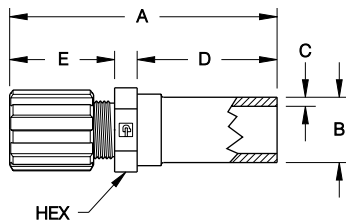
Part Number	MNPT Size	Parbond Size	Orifice		A		B		C		D		E		Hex Size
			inch	mm	inch	mm	inch	mm	inch	mm	inch	mm	inch	mm	
BA-4MP4	1/4	1/4	0.29	7.37	1.41	35.81	0.54	13.72	0.08	2.03	0.56	14.22	0.55	13.97	11/16
BA-6MP4	3/8	1/4	0.38	9.65	1.40	35.56	0.54	13.72	0.08	2.03	0.56	14.22	0.55	13.97	13/16
BA-8MP8	1/2	1/2	0.52	13.21	2.75	69.85	0.84	21.34	0.10	2.54	1.68	42.67	0.66	16.76	15/16
BA-12MP12	3/4	3/4	0.65	16.51	2.77	70.36	1.05	26.67	0.12	3.05	1.77	44.96	0.66	16.76	1 3/16
BA-12MP8	3/4	1/2	0.65	16.51	2.75	69.85	0.84	21.34	0.10	2.54	1.80	45.72	0.66	16.76	1 3/16
BA-16MP12	1	3/4	0.85	21.59	2.62	66.55	1.05	26.67	0.11	2.79	1.77	44.96	0.85	21.59	1 7/16
BA-16MP16	1	1	0.94	23.88	2.92	74.17	1.32	33.40	0.13	3.30	1.78	45.21	0.85	21.59	1 7/16

**Adaptor
Female Straight**



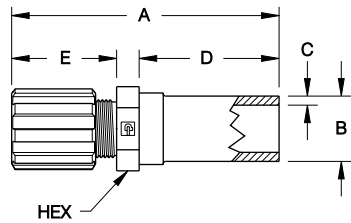
Part Number	FNPT Size	Parbond Size	Orifice		A		B		C		D		E		Hex Size
			inch	mm	inch	mm	inch	mm	inch	mm	inch	mm	inch	mm	
BA-4FP4	1/4	1/4	0.38	9.65	1.41	35.81	0.54	13.74	0.08	2.01	0.56	14.22	0.56	14.22	3/4
BA-6FP4	3/8	1/4	0.38	9.65	1.41	35.81	0.54	13.72	0.08	2.03	0.56	14.22	0.62	15.75	15/16
BA-8FP8	1/2	1/2	0.57	14.48	2.75	69.85	0.84	21.41	0.10	2.60	1.68	42.67	0.67	17.02	1 1/8
BA-12FP12	3/4	3/4	0.85	21.59	2.45	62.10	1.05	26.67	0.11	2.83	1.48	37.59	.68	17.27	1 7/16
BA-16FP16	1	1	0.97	24.64	2.94	74.68	1.32	33.40	0.13	3.24	1.78	45.21	0.96	24.38	1 5/8

**Adaptor,
Parflare**



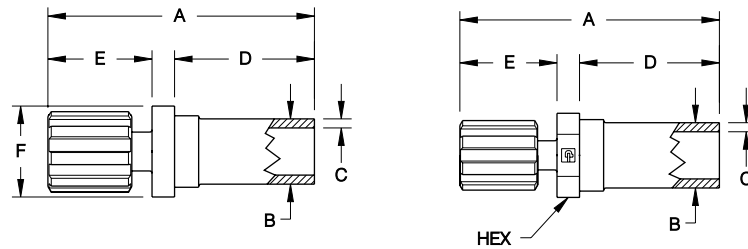
Part Number	Parflare Size	Parbond Size	Orifice		A		B		C		D		E		Hex Size
			inch	mm	inch	mm	inch	mm	inch	mm	inch	mm	inch	mm	
BA-4F4	1/4	1/4	0.13	3.30	2.05	52.07	0.56	14.22	0.09	2.16	0.56	14.22	1.16	29.46	11/16
BA-4F8	1/4	1/2	0.13	3.30	3.28	83.31	0.84	21.44	0.10	2.54	1.68	42.67	1.16	29.46	15/16
BA-4F12	1/4	3/4	0.13	3.30	3.28	83.31	1.05	26.67	0.11	2.79	1.77	44.96	1.16	29.46	1 3/16
BA-6F4	3/8	1/4	0.25	6.35	1.98	50.29	0.54	13.79	0.08	1.91	0.56	14.22	1.24	31.50	13/16
BA-6F8	3/8	1/2	0.25	6.35	3.26	82.80	0.84	21.41	0.10	2.54	1.80	45.72	1.24	31.50	15/16
BA-6F12	3/8	3/4	0.25	6.35	3.30	83.82	1.06	26.80	0.12	2.92	1.77	44.96	1.24	31.50	1 3/16

**Adaptor,
Parflare
cont.**



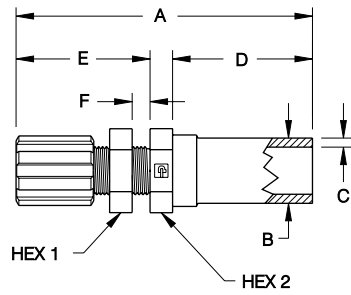
Part Number	Parflare Size	Parbond Size	Orifice		A		B		C		D		E		Hex Size
			inch	mm	inch	mm	inch	mm	inch	mm	inch	mm	inch	mm	
BA-8F4	1/2	1/4	0.38	9.65	2.20	55.88	0.55	13.97	0.10	2.41	0.56	14.22	1.34	34.04	15/16
BA-8F8	1/2	1/2	0.38	9.65	3.40	86.36	0.84	21.41	0.10	2.64	1.80	45.72	1.34	34.04	15/16
BA-8F12	1/2	3/4	0.38	9.65	3.34	84.84	1.06	26.80	0.11	2.79	1.77	44.96	1.34	34.04	1 3/16
BA-8F16	1/2	1	0.38	9.65	3.36	85.34	1.32	33.53	0.13	3.30	1.78	45.21	1.34	34.04	1 7/16
BA-12F8	3/4	1/2	0.63	16.00	3.55	90.17	0.85	21.49	0.11	2.67	1.80	45.72	1.46	37.08	1 3/16
BA-12F12	3/4	3/4	0.63	16.00	3.55	90.17	1.05	26.67	0.11	2.79	1.77	44.96	1.46	37.08	1 3/16
BA-12F16	3/4	1	0.63	16.00	3.55	90.17	1.32	33.40	0.14	3.43	1.78	45.21	1.46	37.08	1 7/16
BA-16F12	1	3/4	0.88	22.35	3.79	96.27	1.06	26.80	0.11	2.79	1.77	44.96	1.76	44.70	1 7/16
BA-16F16	1	1	0.88	22.35	3.79	96.27	1.32	33.40	0.13	3.24	1.77	44.96	1.76	44.70	1 7/16

**Adaptor,
Redi-flare**



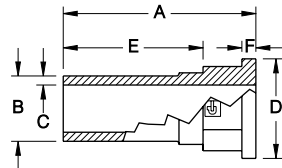
Part Number	Redi-flare Size	Parbond Size	Orifice		A		B		C		D		E		F		Hex Size
			inch	mm	inch	mm	inch	mm	inch	mm	inch	mm	inch	mm			
BA-4RF4	1/4	1/4	0.13	3.30	2.04	51.82	0.55	13.89	0.08	2.03	0.56	14.22	1.16	29.46	-	-	11/16
BA-6RF4	3/8	1/4	0.25	6.35	2.10	53.34	0.55	13.89	0.09	2.29	0.56	14.22	1.24	31.50	-	-	11/16
BA-6RF8	3/8	1/2	0.25	6.35	3.34	84.84	0.84	21.34	0.12	3.05	1.80	45.72	1.24	31.50	-	-	15/16
BA-8RF8	1/2	1/2	0.38	9.65	3.42	86.87	0.84	21.39	0.10	2.59	1.80	45.72	1.37	34.80	1.17	29.72	-
BA-8RF12	1/2	3/4	0.38	9.65	3.11	78.99	1.05	26.67	0.11	2.87	1.77	44.96	1.37	34.80	1.41	35.81	-
BA-12RF8	3/4	1/2	0.63	16.00	3.74	95.00	0.84	21.34	0.10	2.54	1.80	45.72	1.46	37.08	1.17	29.72	-
BA-12RF12	3/4	3/4	0.63	16.00	3.35	85.09	1.05	26.67	0.11	2.79	1.48	37.59	1.46	37.08	1.41	35.81	-
BA-12RF16	3/4	1	0.63	16.00	3.61	91.69	1.31	33.27	0.13	3.30	1.78	45.21	1.46	37.08	1.42	36.07	-
BA-16RF12	1	3/4	0.88	22.35	3.96	100.6	1.05	26.67	0.11	2.78	1.77	44.96	1.76	44.70	1.39	35.31	-
BA-16RF16	1	1	0.88	22.35	3.85	97.79	1.31	33.27	0.13	3.18	1.78	45.21	1.76	44.70	1.41	35.81	-

**Adaptor,
Parflare,
Panel Mount**



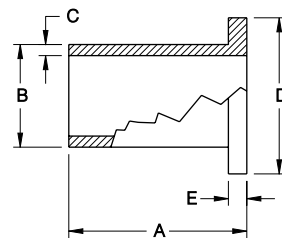
Part Number	Redi-flare Size	Parbond Size	Orifice		A		B		C		D		E		F		Hole Size		Hex 1 Size	Hex 2 Size
			inch	mm	inch	mm	inch	mm	inch	mm	inch	mm	inch	mm	inch	mm	inch	mm		
BA-4F4-P	1/4	1/4	0.13	3.30	2.50	63.50	0.54	13.72	0.08	1.91	0.56	14.22	1.65	41.91	0.25	6.35	0.50	12.70	11/16	11/16
BA-6F4-P	3/8	1/4	0.25	6.35	2.39	60.71	0.54	13.72	0.08	1.91	0.56	14.22	1.62	41.15	0.25	6.35	0.63	16.00	15/16	13/16
BA-6F8-P	3/8	1/2	0.25	6.35	3.81	96.77	0.84	21.34	0.10	2.54	1.50	38.10	1.62	41.15	0.25	6.35	0.63	16.00	15/16	15/16
BA-8F4-P	1/2	1/4	0.38	9.65	2.56	65.02	0.55	13.87	0.08	2.03	0.56	14.22	1.74	44.20	0.25	6.35	0.75	19.05	1 1/16	15/16
BA-12F8-P	3/4	1/2	0.63	16.00	4.22	107.2	0.85	21.46	0.11	2.67	1.80	45.72	2.13	54.10	0.50	12.70	1.00	25.40	1 5/16	1 3/16
BA-16F12-P	1	3/4	0.88	22.35	4.43	112.5	1.05	26.77	0.11	2.72	1.48	37.59	2.36	59.94	0.38	9.53	1.45	36.83	1 3/4	1 3/4

**Adaptor,
Flange,
Flat Face**



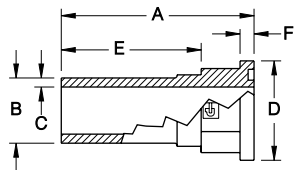
Part Number	Parbond Size	A		B		C		D		E		F	
		inch	mm	inch	mm	inch	mm	inch	mm	inch	mm	inch	mm
BA-8FL-0	1/2	2.49	63.25	0.84	21.34	0.12	2.96	1.29	32.77	1.49	37.85	0.22	5.59
BA-12FL-0	3/4	2.48	62.99	1.05	26.67	0.11	2.87	1.46	37.08	1.49	37.85	0.22	5.59

**Adaptor,
Flange,
Flat Face**



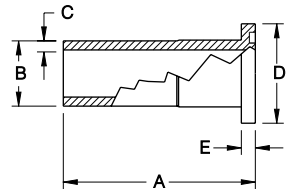
Part Number	Parbond Size	A		B		C		D		E	
		inch	mm	inch	mm	inch	mm	inch	mm	inch	mm
BA-16FL-0	1	2.28	57.91	1.32	33.53	0.14	3.56	2.00	50.80	0.24	6.10
BA-32FL-0	2	2.37	60.20	2.40	60.96	0.17	4.41	3.47	88.14	0.25	6.35

**Adaptor,
Flange,
O-Ring Face**



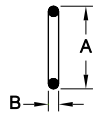
Part Number	Parbond Size	A		B		C		D		E		F	
		inch	mm	inch	mm	inch	mm	inch	mm	inch	mm	inch	mm
BA-8FL-1	1/2	2.48	62.99	0.85	21.49	0.11	2.68	1.28	32.51	1.49	37.85	0.18	4.57
BA-12FL-1	3/4	2.48	62.99	1.05	26.67	0.11	2.87	1.46	37.08	1.49	37.85	0.18	4.57

**Adaptor,
Flange,
O-Ring Face**



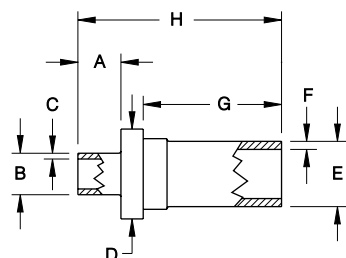
Part Number	Parbond Size	A		B		C		D		E	
		inch	mm	inch	mm	inch	mm	inch	mm	inch	mm
BA-8FL-1-01	1/2	2.48	62.99	0.85	21.49	0.11	2.68	1.28	32.51	0.18	4.57
BA-32FL-1	2	2.38	60.45	2.40	60.96	0.17	4.34	3.48	88.39	0.25	6.35

**O-Ring,
PFA Encapsulated
Viton**



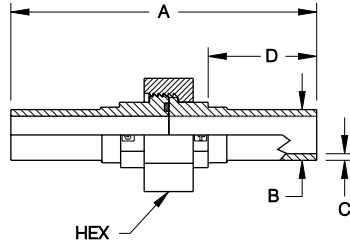
Part Number	Parbond Size	A		B		Part Number	Parbond Size	A		B	
		inch	mm	inch	mm			inch	mm	inch	mm
2000-0016EV	1/4	.754	19.15	.070	1.78	2000-0125EV	1	1.505	38.23	.103	2.62
2000-0118EV	1/2	1.068	27.13	.103	2.62	2000-0141EV	2	2.506	63.65	.103	2.62
2000-0121EV	3/4	1.255	31.88	.103	2.62						

Reducer



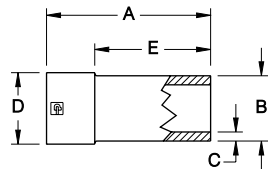
Part Number	Parbond Size	A		B		C		D		E		F		G		H	
		inch	mm	inch	mm	inch	mm	inch	mm	inch	mm	inch	mm	inch	mm	inch	mm
BR-84	1/2 X 1/4	0.56	14.22	0.54	13.72	0.08	1.91	0.93	23.62	0.85	21.59	0.11	2.79	1.80	45.72	2.64	67.06
BR-124	3/4 X 1/4	0.56	14.22	0.54	13.72	0.08	1.91	1.16	29.46	1.05	26.67	0.11	2.79	1.49	37.85	2.63	66.80
BR-128	3/4 X 1/2	1.49	38.10	0.84	21.34	0.10	2.54	1.16	29.46	1.05	26.67	0.11	2.67	1.49	37.85	3.58	90.93
BR-164	1 X 1/4	1.31	33.02	0.55	13.87	0.08	1.98	1.41	35.81	1.32	33.40	0.13	3.24	1.78	45.21	3.37	85.60
BR-168	1 X 1/2	1.49	37.85	0.84	21.41	0.10	2.60	1.41	35.81	1.32	33.40	0.13	3.24	1.78	45.21	3.57	90.68
BR-1612	1 X 3/4	1.49	37.59	1.05	26.67	0.11	2.79	1.41	35.81	1.32	33.53	0.14	3.43	1.78	45.21	3.57	90.68
BR-328	2 X 1/2	1.50	38.10	0.84	21.34	0.11	2.79	2.55	64.77	2.38	60.45	0.16	4.06	1.50	38.10	4.38	111.3
BR-3212	2 X 3/4	1.50	37.59	1.05	26.67	0.12	3.05	2.55	64.77	2.39	60.71	0.16	4.06	1.50	38.10	4.37	111.0
BR-3216	2 X 1	1.50	37.59	1.32	33.53	0.14	3.56	2.54	64.52	2.38	60.45	0.16	4.06	1.50	38.10	4.38	111.3

Union



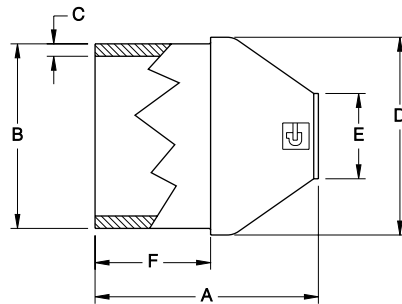
Part Number	Parbond Size	A		B		C		D		Hex Size
		inch	mm	inch	mm	inch	mm	inch	mm	
BU-4	1/4	2.49	63.25	0.54	13.79	0.08	2.01	0.76	19.30	1 1/4
BU-8	1/2	5.07	128.78	0.85	21.46	0.11	2.69	1.80	45.72	1 5/8
BU-12	3/4	5.07	128.78	1.05	26.75	0.11	2.86	1.80	45.72	1 7/8
BU-16	1	5.62	142.75	1.32	33.53	0.13	3.31	1.50	38.10	2 7/8

Cap



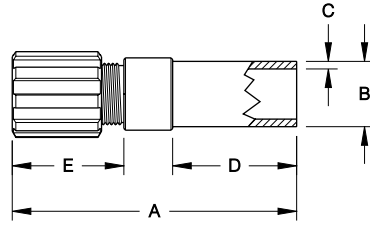
Part Number	Parbond Size	A		B		C		D		E	
		inch	mm	inch	mm	inch	mm	inch	mm	inch	mm
BCAP-4	1/4	0.84	21.34	0.54	13.82	0.08	2.02	0.62	15.75	0.55	13.97
BCAP-8	1/2	2.09	53.09	0.84	21.41	0.11	2.67	0.91	23.11	1.49	37.85
BCAP-12	3/4	2.08	52.83	1.05	26.67	0.11	2.79	1.16	29.46	1.49	37.85
BCAP-16	1	2.06	52.32	1.32	33.40	0.13	3.24	1.42	36.07	1.48	37.59
BCAP-32	2	2.88	73.15	2.38	60.45	0.14	3.56	2.55	64.77	1.49	37.85

**Cap
cont.**



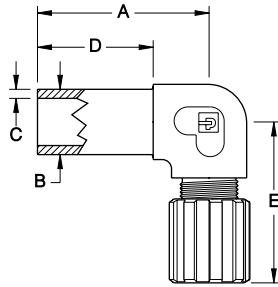
Part Number	Parbond Size	A		B		C		D		E		F	
		inch	mm	inch	mm	inch	mm	inch	mm	inch	mm	inch	mm
BCAP-32	2	2.88	73.15	2.38	60.45	0.16	4.06	2.55	64.77	1.10	27.94	1.49	37.85

**Adaptor,
Parflare,
PVDF Transition**



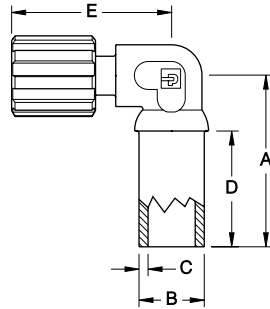
Part Number	Parflare Size	Parbond Size	Orifice		A		B		C		D		E	
			inch	mm	inch	mm	inch	mm	inch	mm	inch	mm	inch	mm
BA-4F20mm-PVDF	1/4	20 mm	0.13	3.30	3.38	85.85	0.79	20.07	0.08	1.91	1.49	37.85	1.24	31.50
BA-4F25mm-PVDF	1/4	25 mm	0.13	3.30	3.40	86.36	0.99	25.15	0.08	1.91	1.49	37.85	1.24	31.50
BA-6F20mm-PVDF	3/8	20 mm	0.25	6.35	3.40	86.36	0.79	20.07	0.08	1.91	1.49	37.85	1.26	32.00
BA-6F25mm-PVDF	3/8	25 mm	0.25	6.35	3.40	86.36	0.98	24.89	0.07	1.78	1.49	37.85	1.26	32.00
BA-8F20mm-PVDF	1/2	20 mm	0.38	9.65	3.49	88.65	0.79	20.07	0.08	1.91	1.49	37.85	1.35	34.29
BA-8F25mm-PVDF	1/2	25 mm	0.38	9.65	3.51	89.15	0.98	24.89	0.07	1.78	1.49	37.85	1.35	34.29
BA-8F32mm-PVDF	1/2	32 mm	0.38	9.65	3.53	89.66	1.26	32.00	0.10	2.41	1.49	37.85	1.40	35.56
BA-12F20mm-PVDF	3/4	20 mm	0.63	16.00	3.67	93.22	0.79	20.07	0.08	1.91	1.49	37.85	1.50	38.10
BA-12F25mm-PVDF	3/4	25 mm	0.63	16.00	3.68	93.47	0.98	24.89	0.07	1.78	1.49	37.85	1.53	38.86
BA-12F32mm-PVDF	3/4	32 mm	0.63	16.00	3.66	92.96	1.26	32.00	0.10	2.41	1.49	37.85	1.53	38.86
BA-12F40mm-PVDF	3/4	40 mm	0.63	16.00	3.68	93.47	1.58	40.13	0.10	2.41	1.49	37.85	1.54	39.12
BA-16F25mm-PVDF	1	25 mm	0.88	22.35	3.88	98.55	0.98	24.89	0.07	1.78	1.49	37.85	1.72	43.69
BA-16F32mm-PVDF	1	32 mm	0.88	22.35	3.86	98.04	1.26	32.00	0.10	2.41	1.49	37.85	1.73	43.94
BA-16F40mm-PVDF	1	40 mm	0.88	22.35	3.86	98.04	1.57	39.88	0.09	2.29	1.49	37.85	1.73	43.94

**Elbow Connector,
Parflare**



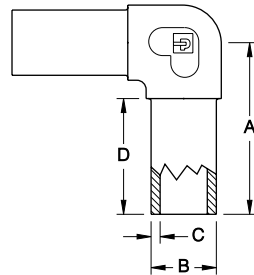
Part Number	Parflare Size	Parbond Size	Orifice		A		B		C		D		E	
			inch	mm	inch	mm	inch	mm	inch	mm	inch	mm	inch	mm
BE-4F4	1/4	1/4	0.13	3.30	1.08	27.43	0.54	13.72	0.08	1.97	0.56	14.22	1.69	42.93
BE-4F12	1/4	3/4	0.13	3.30	2.20	55.88	1.05	26.67	0.11	2.79	1.48	37.59	1.84	46.74
BE-6F4	3/8	1/4	0.25	6.35	1.09	27.69	0.55	13.97	0.09	2.29	0.56	14.22	1.84	46.74
BE-8F8	1/2	1/2	0.38	9.65	2.21	56.13	0.84	21.34	0.10	2.59	1.49	37.85	2.09	53.09
BE-8F12	1/2	3/4	0.38	9.65	2.19	55.63	1.05	26.67	0.11	2.79	1.48	37.59	2.03	51.56
BE-12F8	3/4	1/2	0.63	16.00	2.21	56.13	0.84	21.34	0.12	3.05	1.48	37.59	2.03	51.56
BE-12F12	3/4	3/4	0.63	16.00	2.20	55.88	1.05	26.67	0.11	2.79	1.48	37.59	2.12	53.85
BE-16F16	1	1	0.88	22.35	2.45	62.23	1.32	33.53	0.14	3.56	1.48	37.59	2.12	53.85

**Elbow Connector,
Redi-flare**



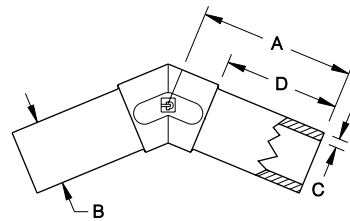
Part Number	Redi-flare Size	Parbond Size	Orifice		A		B		C		D		E	
			inch	mm	inch	mm	inch	mm	inch	mm	inch	mm	inch	mm
BE-88RF	1/2	1/2	0.38	9.65	2.21	56.13	0.84	21.34	0.11	2.67	1.49	37.85	2.03	51.56
BE-1212RF	3/4	3/4	0.63	16.00	2.35	59.69	1.05	26.67	0.12	3.05	1.50	38.10	2.42	61.47
BE-1612RF	3/4	1	0.63	16.00	2.45	62.23	1.32	33.53	0.14	3.56	1.50	38.10	2.53	64.26
BE-16RF16	1	1	0.88	22.35	2.45	62.23	1.32	33.53	0.14	3.56	1.50	38.10	2.99	75.95

**Elbow Connector,
90°**



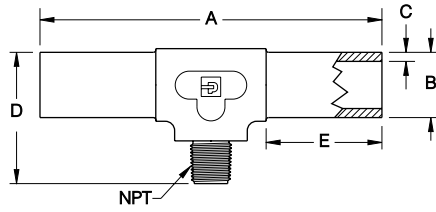
Part Number	Parbond Size	A		B		C		D	
		inch	mm	inch	mm	inch	mm	inch	mm
BE-4	1/4	1.09	27.69	0.55	13.87	0.08	2.08	0.57	14.48
BE-8	1/2	2.19	55.63	0.84	21.41	0.11	2.67	1.48	37.59
BE-12	3/4	2.36	59.94	1.06	26.90	0.11	2.86	1.49	37.85
BE-16	1	2.45	62.23	1.32	33.45	0.13	3.30	1.49	37.85
BE-32	2	3.29	83.57	2.39	60.66	0.16	4.04	1.50	38.10

**Elbow Connector,
45°**



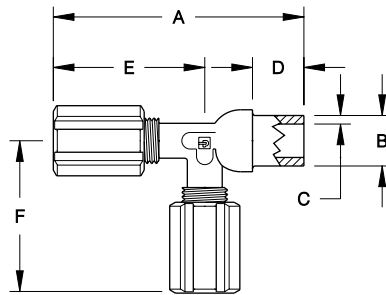
Part Number	Parbond Size	A		B		C		D	
		inch	mm	inch	mm	inch	mm	inch	mm
BE-445	1/4	0.94	23.88	0.54	13.77	0.08	1.98	0.69	17.53
BE-845	1/2	2.00	50.80	0.85	21.49	0.11	2.68	1.50	38.10
BE-1245	3/4	1.98	50.29	1.05	26.75	0.11	2.77	1.49	37.85
BE-1645	1	1.94	49.28	1.32	33.58	0.13	3.40	1.48	37.59
BE-3245	2	2.49	63.25	2.39	60.81	0.17	4.25	1.48	37.59

**Tee Connector,
Male Pipe**



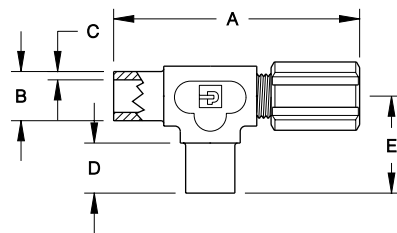
Part Number	MNPT Size	Parbond Size	Orifice		A		B		C		D		E	
			inch	mm	inch	mm	inch	mm	inch	mm	inch	mm	inch	mm
BT-882MP	1/8	1/2	0.20	5.08	4.45	113.03	0.84	21.41	0.11	2.68	1.28	32.51	1.50	38.10
BT-884MP	1/4	1/2	0.29	7.37	4.44	112.78	0.85	21.54	0.11	2.74	1.27	32.26	1.50	38.10

**Tee Connector,
Parflare**



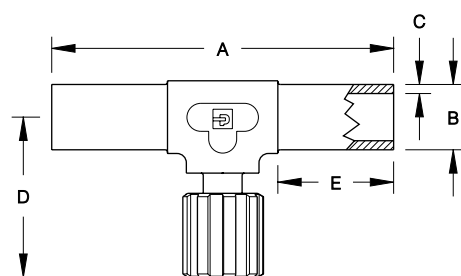
Part Number	Parflare Size	Parbond Size	Orifice		A		B		C		D		E		F	
			inch	mm	inch	mm	inch	mm	inch	mm	inch	mm	inch	mm	inch	mm
BT-4F44F	1/4	1/4	0.13	3.30	2.82	71.63	0.55	13.97	0.08	2.11	0.56	14.22	1.70	43.18	1.72	43.69

**Tee Connector,
Parflare**



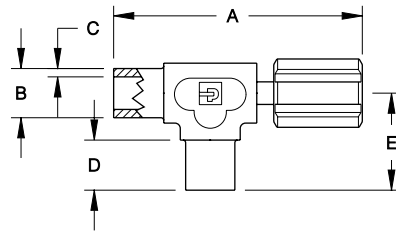
Part Number	Parflare Size	Parbond Size	Orifice		A		B		C		D		E	
			inch	mm	inch	mm	inch	mm	inch	mm	inch	mm	inch	mm
BT-44F4	1/4	1/4	0.13	3.30	2.75	69.85	0.55	13.97	0.09	2.29	0.56	14.22	1.09	27.69

**Tee Connector,
Redi-flare**



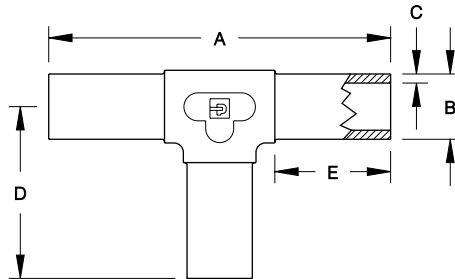
Part Number	Parflare Size	Parbond Size	Orifice		A		B		C		D		E	
			inch	mm	inch	mm	inch	mm	inch	mm	inch	mm	inch	mm
BT-888RF	1/2	1/2	0.25	6.35	4.41	112.01	0.84	21.34	0.11	2.67	2.00	50.80	1.50	38.10
BT-121212RF	3/4	3/4	0.63	16.00	4.67	118.62	1.05	26.67	0.11	2.79	2.20	55.88	1.49	37.85

**Tee Connector,
Redi-flare**



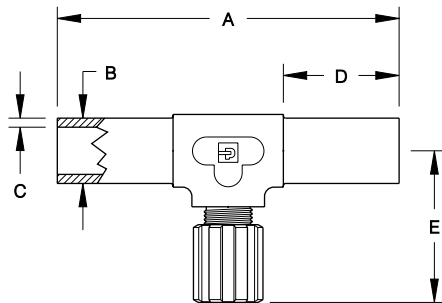
Part Number	Parflare Size	Parbond Size	Orifice		A		B		C		D		E	
			inch	mm	inch	mm	inch	mm	inch	mm	inch	mm	inch	mm
BT-44RF4	1/4	1/4	0.16	4.06	2.78	70.61	0.55	13.97	0.09	2.29	0.56	14.22	1.09	27.69

Tee Connector



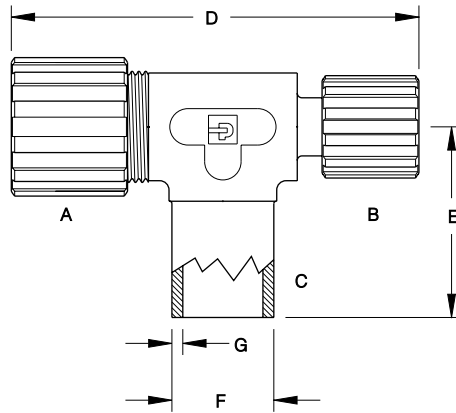
Part Number	Parbond Size	A		B		C		D		E	
		inch	mm	inch	mm	inch	mm	inch	mm	inch	mm
BT-4	1/4	2.17	55.12	0.55	13.97	0.08	2.11	1.10	27.94	0.56	14.22
BT-8	1/2	4.39	111.51	0.84	21.41	0.11	2.68	2.18	55.37	1.49	37.85
BT-12	3/4	4.69	119.13	1.06	26.92	0.11	2.86	2.34	59.44	1.50	38.10
BT-16	1	4.87	123.70	1.31	33.15	0.12	2.98	2.43	61.72	1.48	37.59
BT-32	2	6.58	167.13	2.39	60.58	0.16	3.99	3.29	83.57	1.50	38.10

**Tee Connector
Reducer,
Parflare**



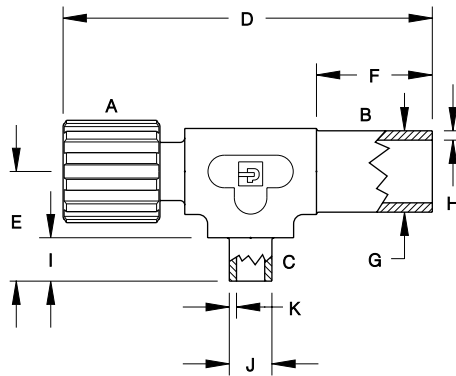
Part Number	Parflare Size	Parbond Size	Orifice		A		B		C		D		E	
			inch	mm	inch	mm	inch	mm	inch	mm	inch	mm	inch	mm
BTR-884F	1/4	1/2	0.13	3.30	4.40	111.76	0.84	21.34	0.12	3.05	1.49	37.85	1.87	47.50
BTR-886F	3/8	1/2	0.25	6.35	4.40	111.76	0.84	21.34	0.12	3.05	1.49	37.85	1.95	49.53
BTR-12124F	1/4	3/4	0.13	3.30	4.69	119.13	1.05	26.67	0.12	3.05	1.50	38.10	2.01	51.05
BTR-12126F	3/8	3/4	0.25	6.35	4.69	119.13	1.05	26.67	0.12	3.05	1.50	38.10	2.09	53.09
BTR-16164F	1/4	1	0.13	3.30	4.91	124.71	1.32	33.53	0.13	3.30	1.50	38.10	2.12	53.85

**Tee Connector
Reducer,
Parflare,
Redi-flare**



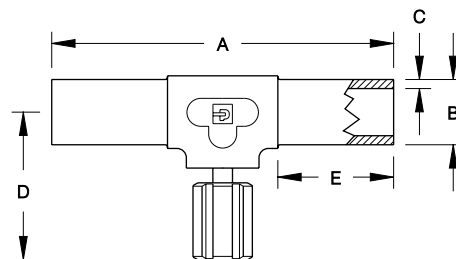
Part Number	A	B	C	Orifice		D		E		F		G	
	Parflare Size	Redi-flare Size	Parbond Size	inch	mm	inch	mm	inch	mm	inch	mm	inch	mm
BTR-16F12RF16	1	3/4	1	0.63	16.00	5.29	134.37	2.46	62.48	1.32	33.53	0.14	3.56

**Tee Connector
Reducer,
Redi-flare**



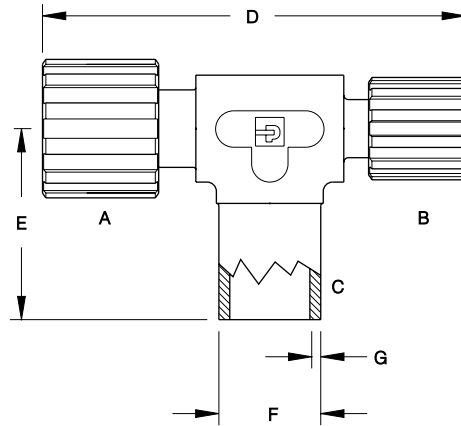
Part Number	A	B	C	Orifice		D		E		F		G		H		I		J		K	
	Redi-flare Size	Parbond Size	inch	mm	inch	mm	inch	mm	inch	mm	inch	mm	inch	mm	inch	mm	inch	mm	inch	mm	
BTR-12RF124	3/4	3/4	1/4	0.36	9.1	4.77	121	1.42	36.1	1.50	38.1	1.05	26.7	0.12	3.0	0.56	14.2	0.55	14.0	0.09	2.3
BTR-1612RF16	3/4	1	1	0.63	16.0	4.98	127	2.47	62.7	1.50	38.1	1.32	33.5	0.14	3.6	1.50	38.1	1.32	33.5	0.14	3.6

**Tee Connector
Reducer,
Redi-flare**



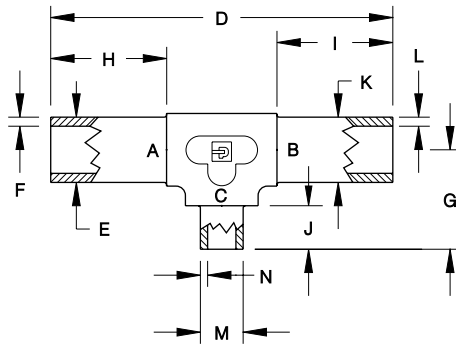
Part Number	Parflare Size	Parbond Size	Orifice		A		B		C		D		E	
			inch	mm	inch	mm	inch	mm	inch	mm	inch	mm	inch	mm
BTR-884RF	1/4	1/2	0.16	4.06	4.40	111.76	0.84	21.34	0.12	3.05	1.90	48.26	1.49	37.85
BTR-12124RF	1/4	3/4	0.16	4.06	4.69	119.13	1.05	26.67	0.12	3.05	2.04	51.82	1.50	38.10
BTR-121216RF	1	3/4	0.63	16.00	4.60	116.84	1.05	26.67	0.81	20.55	2.90	73.66	1.50	38.10
BTR-16164RF	1/4	1	0.16	4.06	4.91	124.71	1.32	33.53	0.14	3.56	2.15	54.61	1.50	38.10
BTR-161612RF	3/4	1	0.63	16.00	4.91	124.71	1.32	33.53	0.14	3.56	2.54	64.52	1.50	38.10

**Tee Connector
Reducer,
Redi-flare**



Part Number	A	B	C	Orifice		D		E		F		G	
	Redi-flare Size	Redi-flare Size	Parbond Size	inch	mm	inch	mm	inch	mm	inch	mm	inch	mm
BTR-16RF12RF16	1	3/4	1	0.63	16.00	5.51	139.95	2.47	62.74	1.32	33.53	0.14	3.56
BTR-12RF8RF8	1/2	3/4	1/2	0.38	9.65	4.21	106.93	2.21	56.13	0.84	21.34	0.10	2.54

**Tee Connector
Reducer**



Part Number	A	B	C	D		E		F		G		H		I		J		K		L		M		N	
	Parbond Size	inch	mm	inch	mm	inch	mm	inch	mm	inch	mm	inch	mm	inch	mm	inch	mm	inch	mm	inch	mm	inch	mm	inch	mm
BTR-848	1/2	1/4	1/2	3.47	88.1	0.84	21.3	0.10	2.6	2.19	55.6	1.49	37.8	0.56	14.2	1.49	37.8	0.56	14.2	0.09	2.3	0.84	21.3	0.10	2.5
BTR-884	1/2	1/2	1/4	4.42	112	0.84	21.3	0.12	3.0	1.28	32.5	1.49	37.8	1.49	37.8	0.56	14.2	0.84	21.3	0.10	2.5	0.56	14.2	0.09	2.3
BTR-12412	3/4	1/4	3/4	3.75	95.3	1.05	26.7	0.11	2.8	2.34	59.4	1.50	38.1	0.56	14.2	1.50	38.1	0.56	14.2	0.10	2.5	1.05	26.7	0.11	2.8
BTR-12812	3/4	1/2	3/4	4.67	119	1.05	26.7	0.12	3.0	2.34	59.4	1.50	38.1	1.49	37.8	1.50	38.1	0.84	21.3	0.10	2.5	1.05	26.7	0.11	2.8
BTR-12124	3/4	3/4	1/4	4.70	119	1.05	26.7	0.11	2.8	1.42	36.1	1.50	38.1	1.50	38.1	0.56	14.2	1.05	26.7	0.11	2.8	0.56	14.2	0.09	2.3
BTR-12128	3/4	3/4	1/2	4.66	118	1.05	26.7	0.11	2.8	2.33	59.2	1.50	38.1	1.50	38.1	1.49	37.8	1.05	26.7	0.11	2.8	0.84	21.3	0.10	2.5
BTR-121216	3/4	3/4	1	4.90	124	1.05	26.7	0.11	2.8	2.47	62.7	1.50	38.1	1.50	38.1	1.50	38.1	1.05	26.7	0.11	2.8	1.32	33.5	0.14	3.6
BTR-16416	1	1	1	3.99	101	1.32	33.5	0.14	3.4	2.46	62.5	1.50	38.1	0.56	14.2	1.50	38.1	0.56	14.2	0.09	2.3	1.32	33.5	0.14	3.6
BTR-16164	1	1	1/4	4.88	124	1.32	33.5	0.13	3.4	1.53	38.9	1.50	38.1	1.50	38.1	0.56	14.2	1.32	33.5	0.14	3.6	0.56	14.2	0.09	2.3
BTR-16168	1	1	1/2	4.91	124	1.32	33.5	0.14	3.6	2.46	62.5	1.50	38.1	1.50	38.1	1.49	37.8	1.32	33.5	0.14	3.6	0.84	21.3	0.10	2.5