

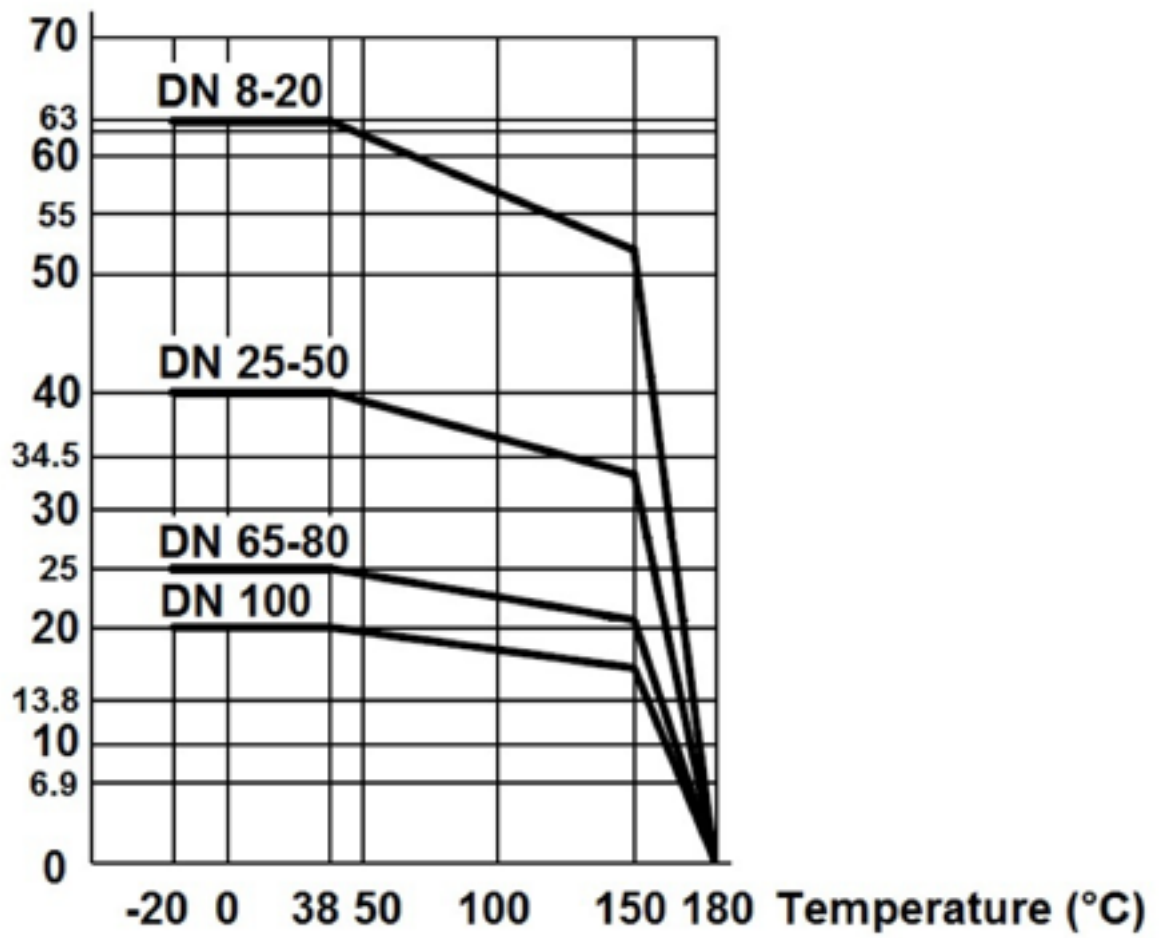
PKH-xG-3T-2W-ND-S



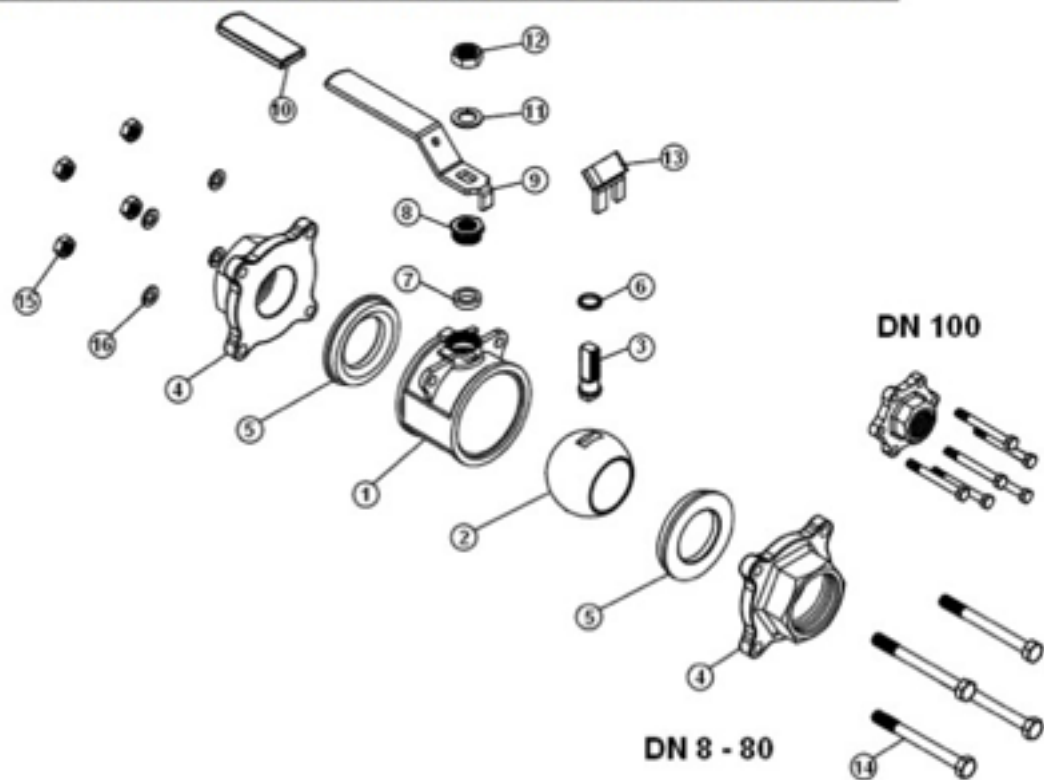
Größen:	1/4": PKH-4G-3T-2W-ND-S 3/8": PKH-6G-3T-2W-ND-S 1/2": PKH-8G-3T-2W-ND-S 3/4": PKH-12G-3T-2W-ND-S
Anschluss:	BSPP
min Temp:	-20°C
max Temp:	180°C
max. Druck:	63bar
Spezifikationen:	<ul style="list-style-type: none"> - Full Bore - Locking Device - Anti blow out stem - PTFE packing
Standards:	<ul style="list-style-type: none"> - ISO 9001:2008 - Directive 97/23/CE: Risk Cat. III Module H - EN 12266-1 range A - ISO 228-1

Druck/Temperatur Verlauf:

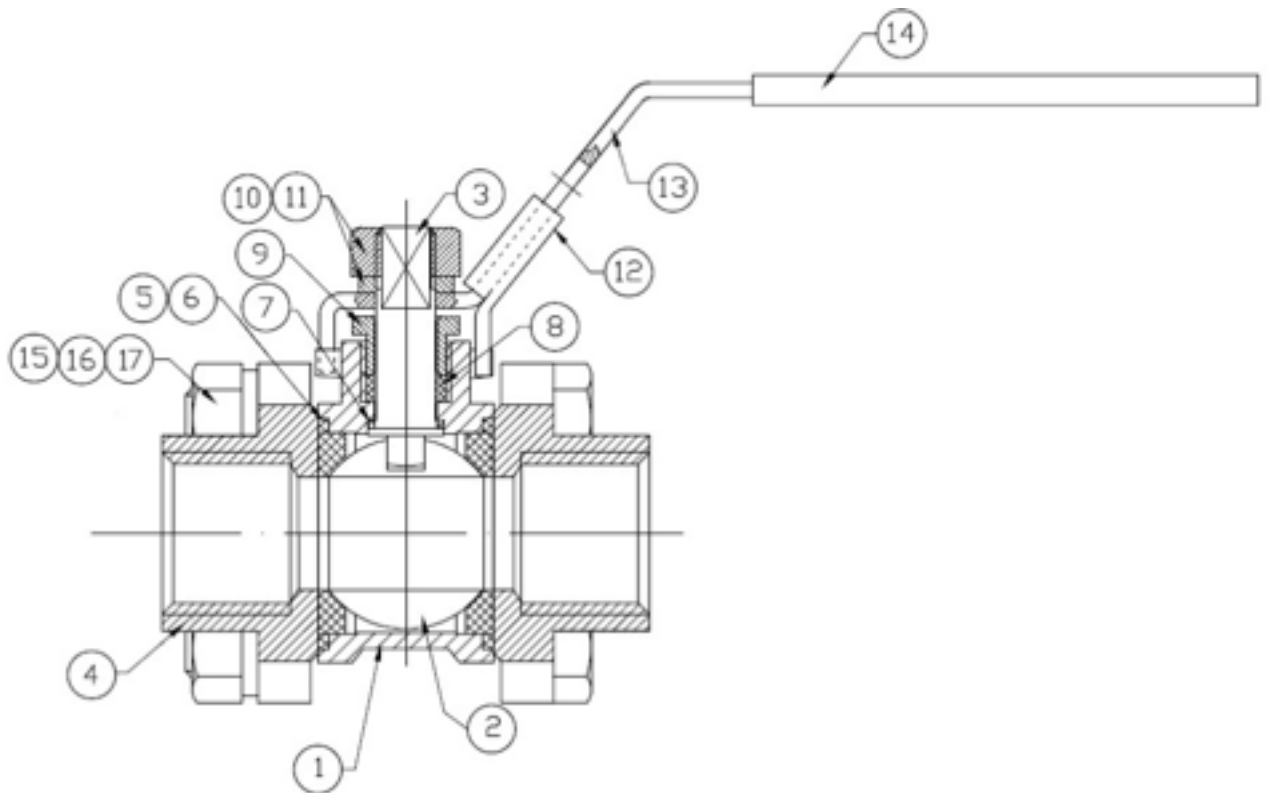
Pressure (Bar)



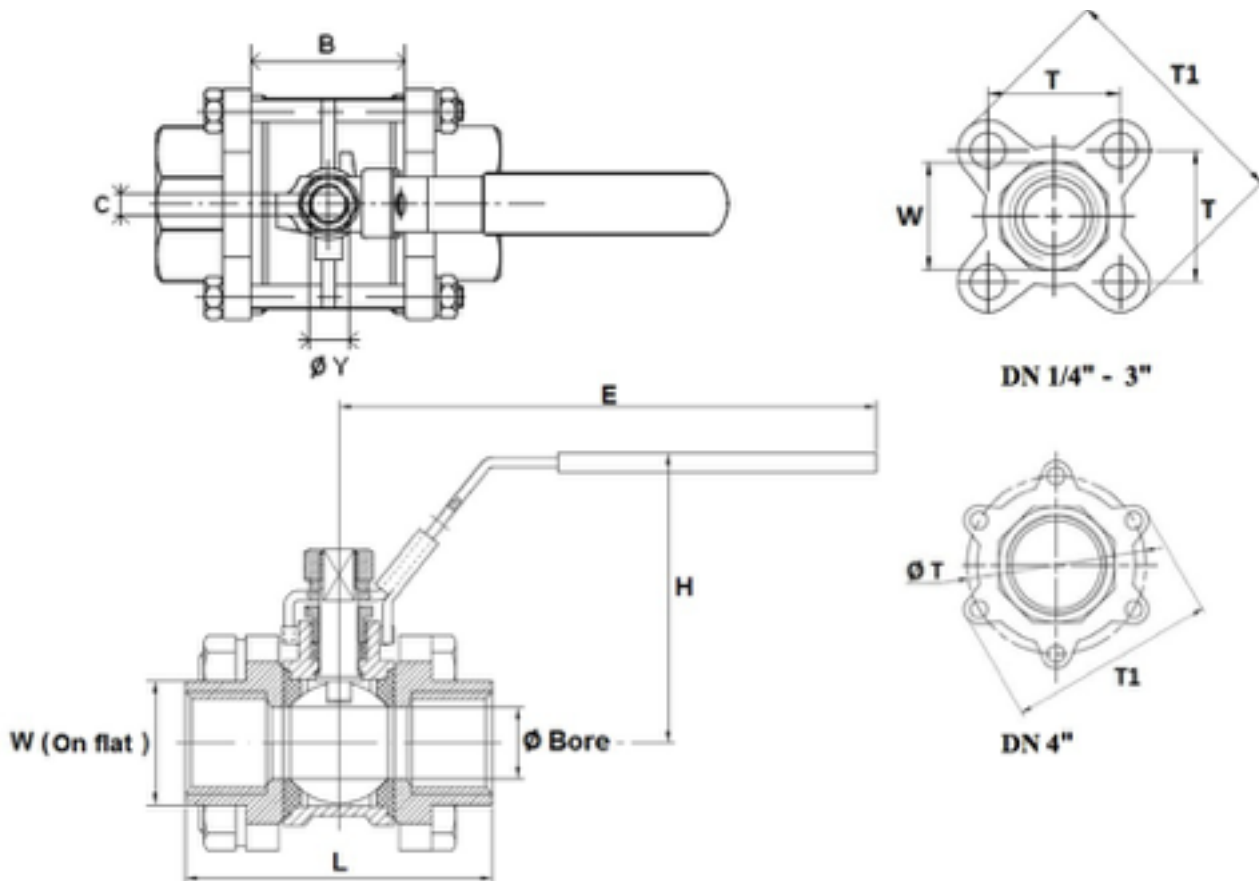
MATERIALS FOR STAINLESS STEEL TYPES DN8 AND FROM DN15 TO 100 REF. 790/791/792/744 :



Item	Designation	Materials Ref. 790/791/792/744 DN8 and DN15-100
1	Body	ASTM A351 CF8M
2	Ball	ASTM A351 CF8M
3	Stem	SS 316
4	Ends	ASTM A351 CF8M
5*	Seat	PTFE filled with 15% glass fiber
6*	Thrust washer	PTFE
7*	Packing	PTFE
8	Packing nut	SS 304
9	Handle	SS 304
10	Handle cover	Plastic
11	Handle washer	SS 304
12	Handle nut	SS 304
13	Locking device	SS 304
14	Bolt	SS 201
15	Nut	SS 304
16	Washer	SS 304



Item	Designation	Materials Ref. 790/791/792/744 DN10
1	Body	ASTM A351 CF8M
2	Ball	ASTM A351 CF8M
3	Stem	SS 316
4	Ends	ASTM A351 CF8M
5*	Seat	PTFE filled with 15% glass fiber
6*	Body gasket	PTFE filled with 15% glass fiber
7*	Thrust washer	PTFE
8*	Packing	PTFE
9	Packing nut	SS 304
10	Handle nut	SS 304
11	Handle washer	SS 304
12	Locking device	SS 304
13	Handle	SS 304
14	Handle cover	Plastic
15	Bolt	SS 201
16	Nut	SS 304
17	Washer	SS 304



Ref.	DN	1/4"	3/8"	1/2"	3/4"
790 744 Threaded	Ø Bore	9.2	12.8	15	20
	L	60	60	63	70
	B	22	22	23.3	28
	E	136	136	136	136
	H	52	52	63	68
	Ø Y	8	8	8	8
	C	5	5	5	5
	T	27.2	27.2	31.8	40
	T1	51	51	59.5	71
	W	18	22	26	33
	Weight (Kg)	0.33	0.34	0.49	0.64