

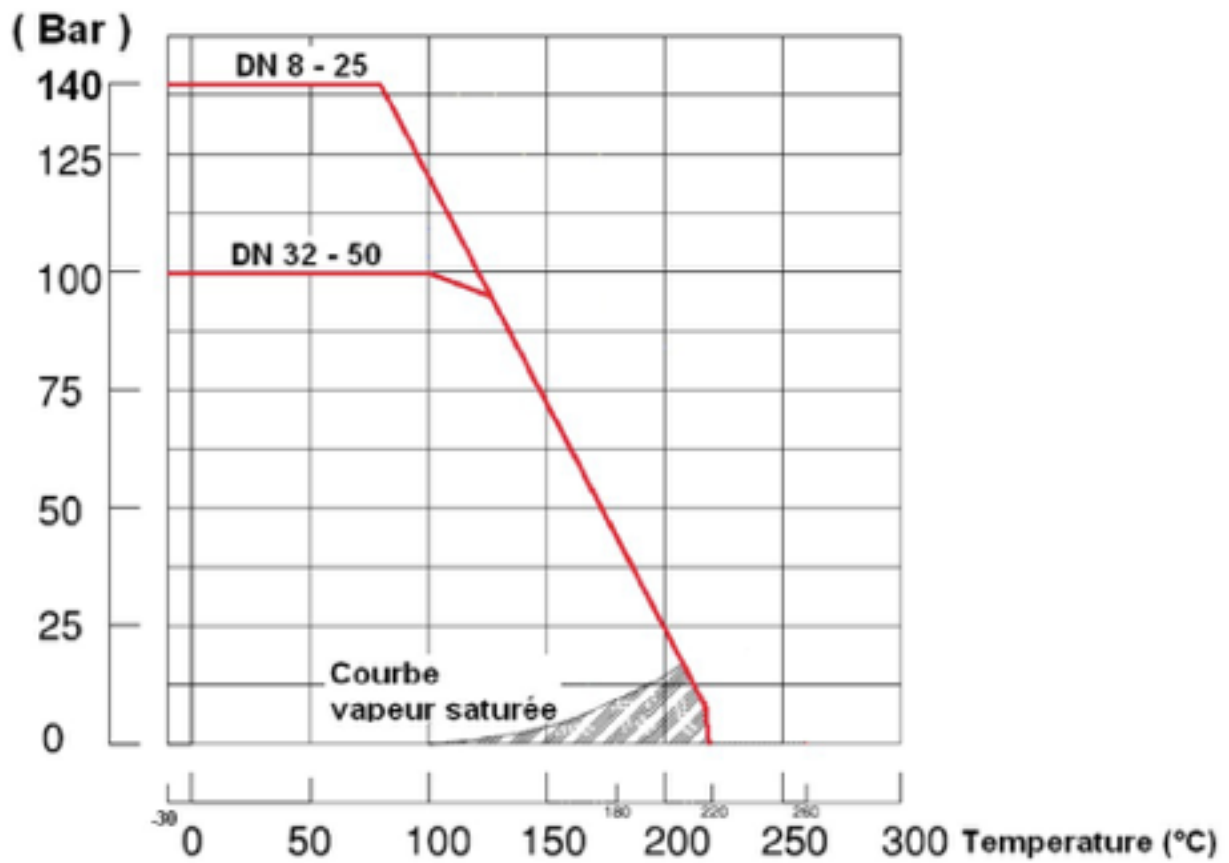
## PKH-xG-3T-2W-HD-S



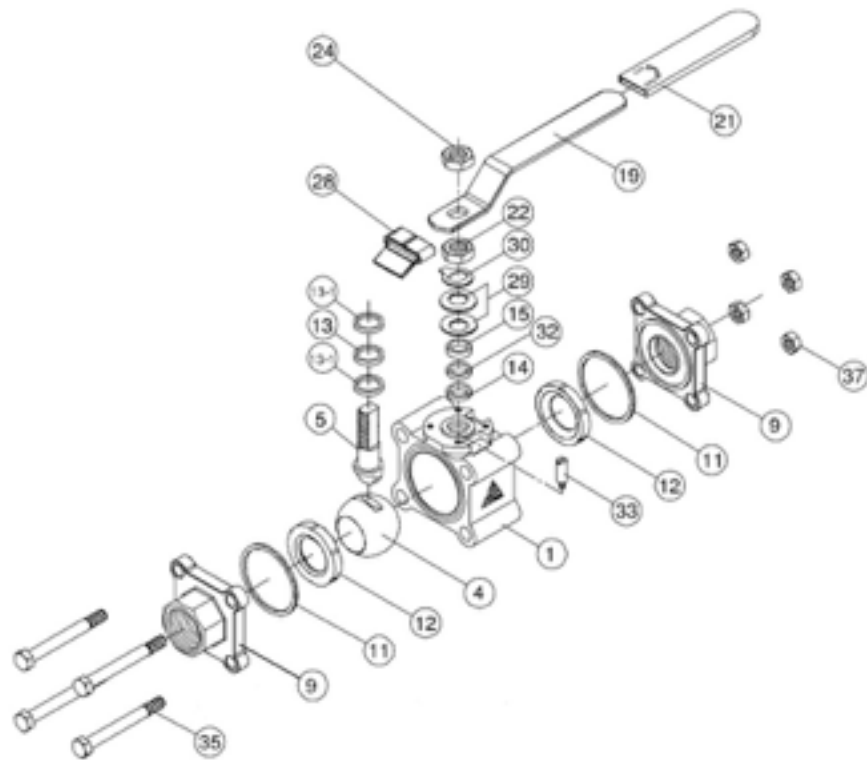
<b>Größen:</b>	1/4": PKH-4G-3T-2W-HD-S 3/8": PKH-6G-3T-2W-HD-S 1/2": PKH-8G-3T-2W-HD-S 3/4": PKH-12G-3T-2W-HD-S
<b>Anschluss:</b>	BSPP
<b>min Temp:</b>	-30°C
<b>max Temp:</b>	220°C
<b>max. Druck:</b>	140bar
<b>Spezifikationen:</b>	<ul style="list-style-type: none"> <li>- Antistatic Device</li> <li>- Locking Device</li> <li>- ISO 5211 mounting pad</li> <li>- Anti blow out stem</li> <li>- Fully encapsulated bolts</li> <li>- Fire safe</li> <li>- ATEX</li> </ul>
<b>Standards:</b>	<ul style="list-style-type: none"> <li>- ISO 9001:2008</li> <li>- Directive 97/23/CE: Risk Cat. III Module H</li> <li>- EN 12516-1 Class 600</li> <li>- ASME B16.34</li> <li>- EN12266-1, rate A</li> <li>- API 607 4th</li> <li>- ISO 228-1</li> <li>- ISO 5211</li> <li>- ATEX grp. II Cat. 2 G/2D Zone 1&amp;21 Zone 2&amp;22</li> </ul>

Druck/Temperatur Verlauf:

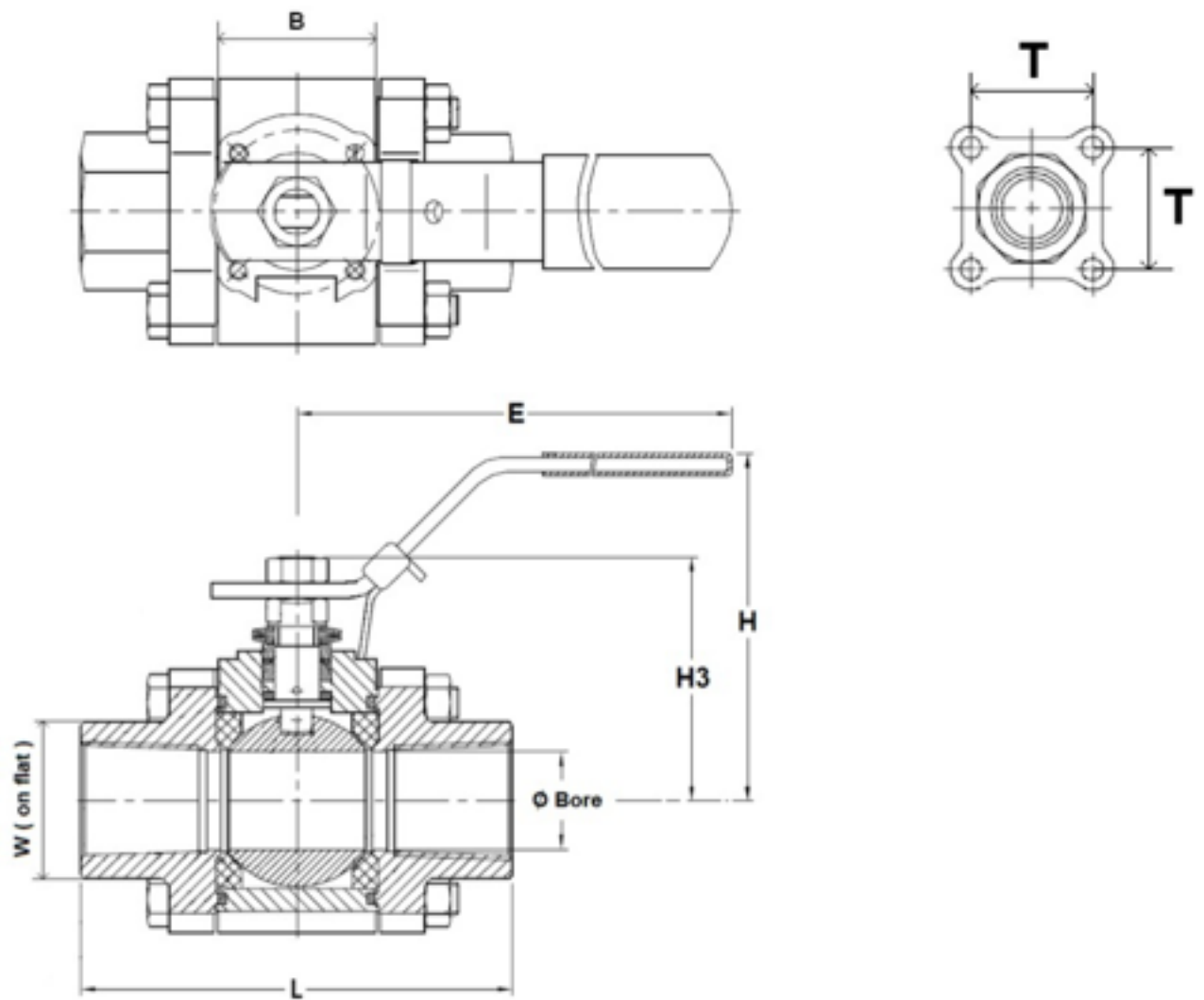
**PRESSURE**



**MATERIALS :**



Item	Designation	Materials 702	Materials 703
1	Body	ASTM A216 WCB	ASTM A351 CF8M
4	Ball	ASTM A351 CF8M	
5	Stem	SS 316	
9	Ends	ASTM A216 WCB	ASTM A351 CF8M
11*	Body gasket	Graphite	
12*	Seat	PTFE filled with 25% carbon	
13*	Thrust washer	Graphite	
13-1*	Thrust washer	PTFE with 15% Grafoil	
14	Packing	Graphite	
15	Gland bush	SS 304	
19	Handle	SS 304	
21	Handle cover	Plastic	
22	Packing nut	SS 304	
24	Handle nut	SS 304	
28	Locking device	SS 304	
29	Elastic washer	SS 301	
30	Tab washer	SS 304	
32*	Packing follower	PTFE with 15% Grafoil	
33	Stop pin	SS 304	
35	Body bolt	SS 304	
37	Bolt nut	SS 304	



Ref.	DN	1/4"	3/8"	1/2"	3/4"
7020 / 7030 Threaded	Ø Bore	10	10	15	20
	L	64,8	64,8	72,5	85,4
	B	19,6	19,6	24	31
	E	134	134	134	134
	H	64	64	72	77
	H3	37,2	37,2	45,1	51,4
	T	32	32	39	45
	W ( on flat )	29,5	29,5	30	36
	Weight ( Kg )	0,70	0,70	0,85	1,37