

DR70 S E R I E S

High Flow High Pressure Reducing Regulators



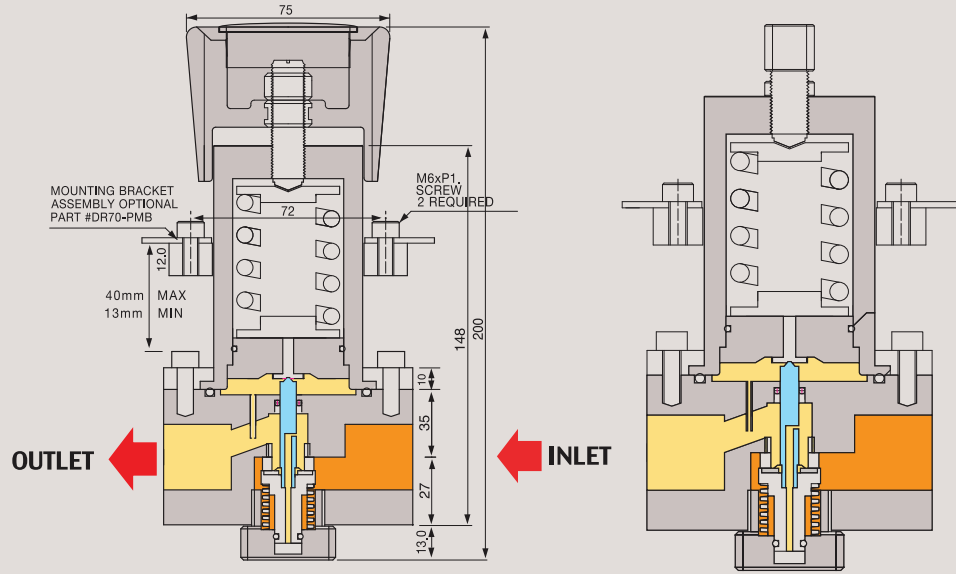
DR70

SERIES

This catalogue is revised and/or updated as of Jan. 2020 and supersedes any old ones.
이 카탈로그는 2020년 1월에 개정 또는 업데이트 되었으며 이전의 카탈로그를 대체합니다.

FUNCTIONAL SCHEMATIC

■ BOLT CONTROL TYPE (DR701 SERIES)



High Flow and High Pressure NPT or BSP type (1/2", 3/4", 1")

DR70시리즈는 물, 케미칼, Liquid 또는 가스 등 많은 유량을 필요로 하는 배관라인 등에 가장 적합한 제품입니다.

- DR70 모델은 자체적으로 압력이 상승하는 것을 완전히 보정해주기(잡아주기) 때문에 입구압력의 변화가 큰 경우에도 출구압력은 변화 없이 안정적으로 정밀하게 유지시켜 줄 수 있습니다.
- 본체의 재질은 모델에 따라 Stainless Steel 316L 또는 Brass로 이루어졌으며, 배관 사이즈는 NPT or BSP 1/2", 3/4", 1"까지 선택 가능하며 Cv=3.5 입니다.
- 입구 압력은 Brass 모델은 100bar(1450psig), Stainless Steel 제품은 420bar(6000psi)까지 사용 가능하고 출구압력은 모델에 따라 2bar(29psig)~350bar(5000psi)까지 사용 가능합니다.

DR70 Series is a NPT or BSP type single-stage high flow pressure reducing regulator suitable for pipeline application where high flow of water, chemical, liquid and gases are being used. Drop-preventing function of DR70 series enables stable and precise regulation of outlet pressure even facing with wide pressure variation at P1.

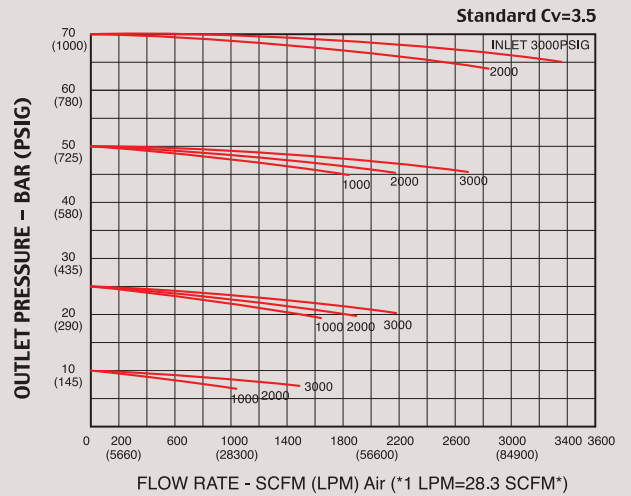
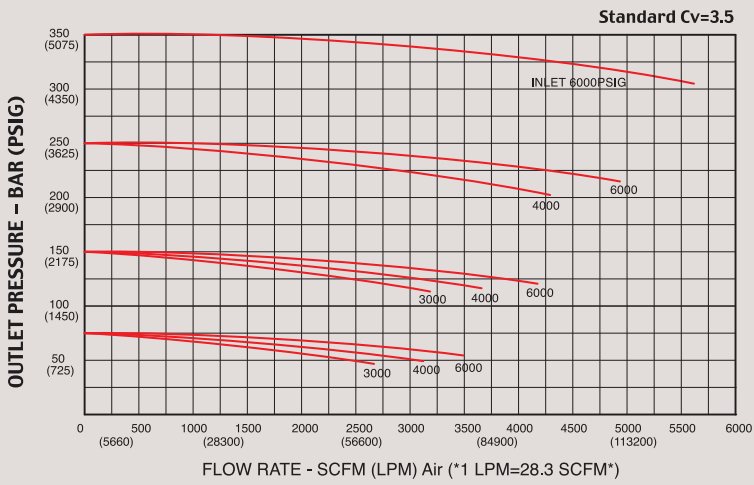
Features & Applications

- 1/2", 3/4", 1" NPT or BSP type available
- Drop-preventing function is built in
- Suitable for the industrial control
- Inlet pressures are 420bar(6000psi) or 100bar(1450psi) and outlet pressures are 10bar(145psig) ~ 350bar(5000psig)
- Panel mounting and wall mounting bracket available as option
- Design proof pressure: 150% of maximum rated

Specifications

In/Outlet Port Size	1/2", 3/4", 1" NPT or BSP / Gauge port: 1/4" NPT
Body	Stainless Steel 316L / Nickel Plated Brass
Bonnet	Nickel Plated Brass / Stainless Steel (Optional)
Diaphragm	Stainless Steel 316L
Main Valve	Stainless Steel 316L
Valve Spring	Stainless Steel 316L
Valve Seat	Teflon / Vespel
Maximum Inlet Pressure	S = 3,000psig / B = 1,500psig / SH = 6,000psig
Outlet Pressure Range	10bar(145psig), 25bar (362psig), 50bar(725psig), 70bar(1000psig) 150bar (2,100psig), 250bar (3,600psig), 350bar(5,000psig)
Design Proof Pressure	150% of maximum rated
Leakage	to 2x10 ⁻⁶ atmcc/secHeliumavailable
Operating Temperature	-40°C to +70°C(-40°F to +160°F) / Teflon
Flow Capacity	Cv = 3.5
Other Options	CGA, Pressure Gauges, etc.
Weight	Approx. 5.3kgs

FLOW CHART



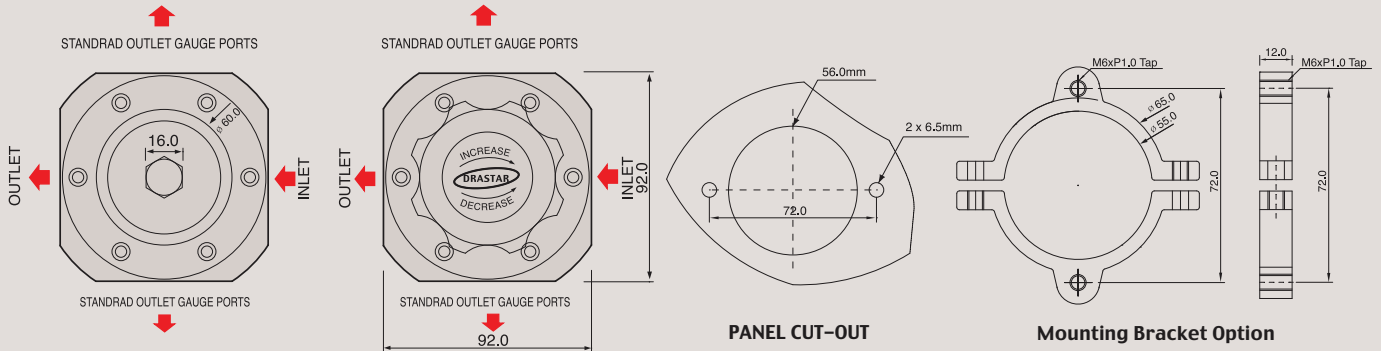
FLOW RATE L/Min AIR

INSTALLATION DIMENSIONS

■ BOLT CONTROL TYPE

■ KNOB CONTROL TYPE

■ MOUNTING BRACKET



* DRASTAR' s all pressure regulators are assembled, cleaned, inspected, and packed in clean-room equipped with clean bench, helium detector, particle counter, ultrasonic cleaner, ultrapure water system, vacuum packaging machine, etc. through oxygen cleaning procedure in compliance with process and regulations indicated in CGA 4.1. and or ASTM G-93 and are free of any grease or oils.

* **Caution:** Filtering (gas 7 μ m~15 μ m, water 15 μ m~80 μ m) is a MUST to use in the general gas application other than high purity gases. Otherwise, it may cause a failure to the regulators. It is strongly recommended to install filter for extension of life span and saving the maintenance expense.

* 주의 : 크린라인이 아닌 일반 라인에 사용 할 경우 반드시 필터링(가스 7 μ m~15 μ m, water 15 μ m~80 μ m)을 하여야 하며, 그렇지 않을 경우 바로 고장의 원인이 됩니다. 모든 제품은 필터링하여 사용하면 A/S 비용 절감과 제품의 수명연장에 많은 도움이 됩니다.

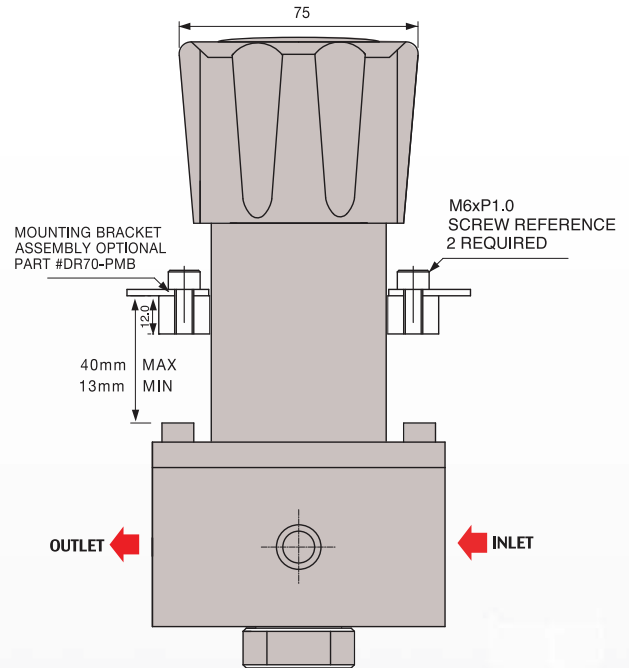
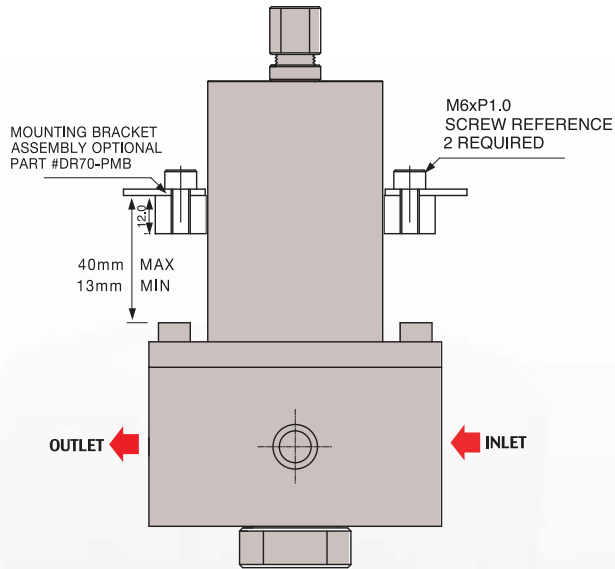
ORDERING INFORMATION

DR70 2 - S P - 010 - NP 3 - V - H1

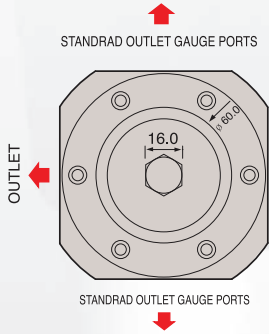
BASIS SERIES NUMBER	CONTROL TYPE	BODY MATERIAL INLET PRESSURE	VALVE SEAT	CONTROLLED PRESSURE RANGE	INLET OUTLET PORTS TYPE	INLET OUTLET PORTS SIZE	SELF VENTING	HIGH TEMPERATURE
DR70	1=BOLT TYPE	S = STS 316L 3000psi	P = Teflon V = Vespel	010 = 10bar 025 = 25bar 050 = 50bar 070 = 70bar 150 = 150bar * 250 = 250bar * 350 = 350bar *	NP = NPT BS = BSP	1 = 1/2" 2 = 3/4" 3 = 1"	V = Self-Venting Optional	H1 = +120°C H2 = +250°C H3 = +320°C Optional
	2=KNOB TYPE	B = Brass 1500psi						
		SH = STS 316L 6000psi ONLY STS 316L	SH model Vespel Standard					

* 150/250/350bar available only for SH model and self-venting is not possible.
* 150/250/350bar 모델은 SH 모델만 가능하며, Self-venting 불가능 합니다.

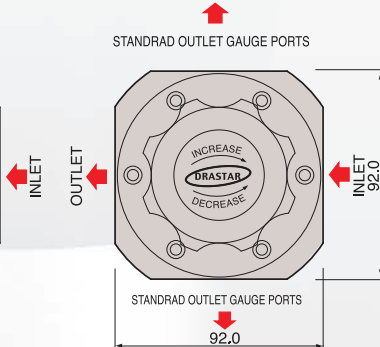
INSTALLATION DIMENSIONS



■ BOLT CONTROL TYPE



■ KNOB CONTROL TYPE



■ MOUNTING BRACKET

